

# mimSAFE

[www.mimsafe.com](http://www.mimsafe.com)



ASSEMBLY INSTRUCTIONS

# VARIOCAGE

double



## GENERAL

VarioCage is made for transport of dogs in vehicle. The VarioCage is made of splinter proof and energy absorbing materials. The telescopic construction maximizes the space for your dog. The Built-in deformation zone reduces the risk of back, neck and head injuries to the rear seat passengers in case of accident. VarioCage has undergone rigorous crash tests. It's design-protected and made of galvanized steel painted with a very weather-

resistant polyurethane paint suitable for its use. Shockproof in all directions, VarioCage is crash-tested for frontal collision situations, rear-end collision and roll over, which is world-unique. The product comes with straps for easy installation. Lockable door with gas spring helps holding the door open when needed.



### IMPORTANT

## BEFORE YOU BEGIN

Ensure that you work on a flat surface. If the VarioCage is assembled indoors, protect the floor with a blanket or carpet to avoid damage during assembly. Read the instruction carefully before you begin, it gives you a better understanding when you work step by step during the assembly. You can assemble the VarioCage by yourself, but it helps a lot to be two during some of the assembly steps.

## RECOMMENDED AREA OF USE

VarioCage should be installed behind the rear seat of the car.

## CRASH TEST

This model is crash tested at Rise Research Institutes of Sweden AB. VarioCage is crash tested according to the SPCT (SafePetCrateTest) method making it the market's safest dog cage for SUV, estate and hatchback cars with the cage installed against the rear set. The crash pulse used is according to ECE Regulation No. 17. Test protocol is available from the manufacturer on request.

## DAILY INSPECTION

- Make sure the VarioCage is intact
- That there's no sharp edges
- That the door lock works
- Check that it is attached to the vehicle's cargo loops

## CLEANING

Use a soft cloth with water and mild soap.

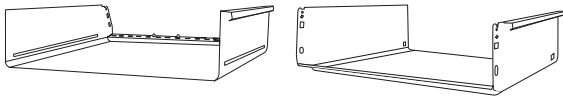
## The story of MIMsafe

For more than 30 years, MIMsafe has worked with functional design and manufacturing of safety products for the modern automotive industry. With documentation from hundreds of crash tests and in close collaboration with the major car manufacturers, safe products have been developed and transformed into knowledge. Under the well-known brand name MIMsafe, we have become the leading manufacturer of crash tested and crush proofed non-whiplash dog cages all over the world.

## MANUFACTURER

MIM Construction AB  
Kardanvägen 80  
461 38 Trollhättan  
Sweden

+46 10 55 00 450  
info@mimsafe.com  
www.mimsafe.com

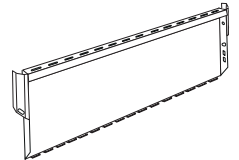
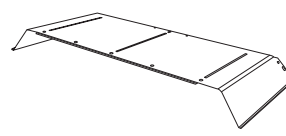
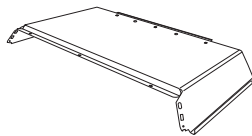
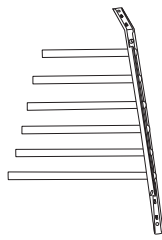
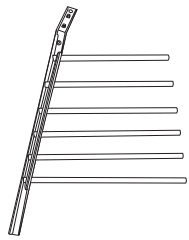
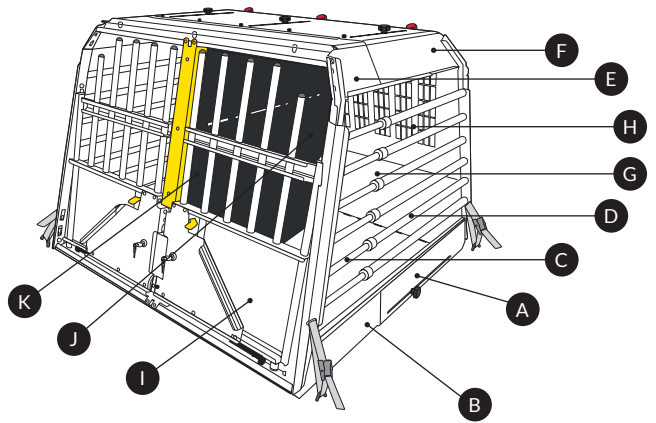


**A** Floor Rear

**B** Floor Front

00377		1X
00383		
00361		
00362		
00364		
00365		
00382		
00369		
Product no	No of items	

00377		1X
00383		
00361		
00362		
00364		
00365		
00382		
00369		
Product no	No of items	



Sidebar **C**

Sidebar **D**

Roof Front **E**

Roof Rear **F**

Lower Panel **G**

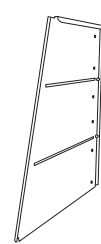
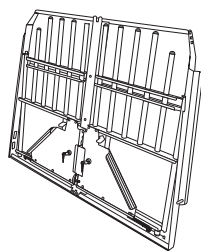
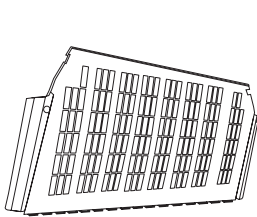
00377	X4	2X
00383	X5	
00361	X5	
00362	X6	
00364	X6	
00365	X6	
00382	X7	
00369	X8	
Product no	Pipes	No of items

00377	X4	2X
00383	X5	
00361	X5	
00362	X6	
00364	X6	
00365	X6	
00382	X7	
00369	X8	
Product no	Pipes	No of items

00377		1X
00383		
00361		
00362		
00364		
00365		
00382		
00369		
Product no	No of items	

00377		1X
00383		
00361		
00362		
00364		
00365		
00382		
00369		
Product no	No of items	

00377		1X
00383		
00361		
00362		
00364		
00365		
00382		
00369		
Product no	No of items	



Escape Hatch **H**

Door Section **I**

Divider Escape Hatch **J**

Divider Door **K**

00377		1X
00383		
00361		
00362		
00364		
00365		
00382		
00369		
Product no	No of items	

00377		1X
00383		
00361		
00362		
00364		
00365		
00382		
00369		
Product no	No of items	

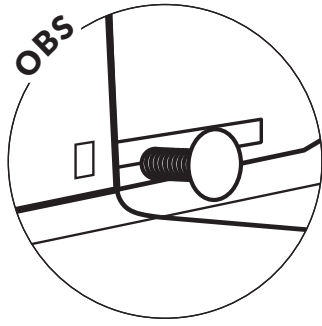
00377		1X
00383		
00361		
00362		
00364		
00365		
00382		
00369		
Product no	No of items	




00377		1X
00383		
00361		
00362		
00364		
00365		
00382		
00369		
Product no	No of items	

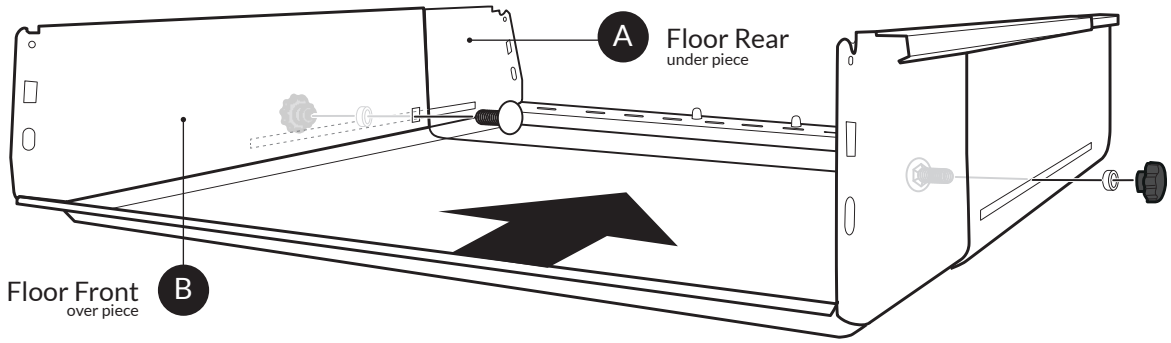
ASSEMBLY KIT IS DIMENSIONED FOR THE LARGEST CAGE, FOR SMALLER CAGES YOU HAVE MORE PARTS THAN YOU NEED

<p>M-460641D <b>18X</b></p> <p>rubber</p>	<p>M-SM6X14IA <b>24X</b></p>	<p>M-SM6X12 <b>2X</b></p>	<p>M-460641AQ <b>3X</b></p> <p>red</p>	<p>ALLEN KEY 4 <b>1X</b></p>	<p>M-B251,56,5SLD <b>4X</b></p> <p>Ø25mm</p>	<p>M-460641AY</p> <p>00377 8X 00383 10X 00361 10X 00362 12X 00364 12X 00365 12X 00382 14X 00369 16X</p> <p>rubber end caps</p>	<p>M-460641BA</p> <p>00377 8X 00383 10X 00361 10X 00362 12X 00364 12X 00365 12X 00382 14X 00369 16X</p> <p>plastic end caps</p>
<p>M-R3015M5S <b>6X</b></p>	<p>M-B1646,2SLD <b>6X</b></p> <p>Ø13mm</p> <p>plastic</p>	<p>M-VBM5X16 <b>6X</b></p>	<p>M-10240 <b>4X</b></p>		<p>M-BR6X19X1S <b>4X</b></p> <p>Ø19mm</p>		

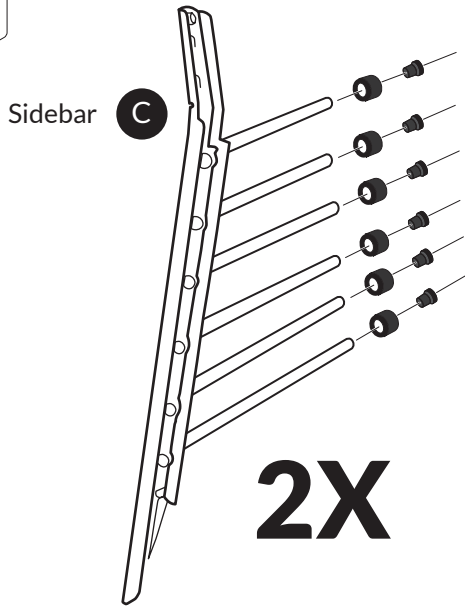
STEP  
**1**



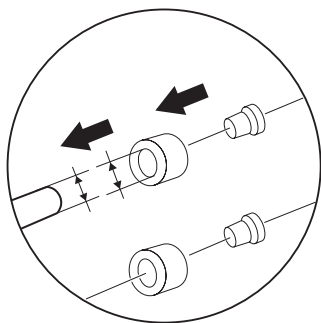
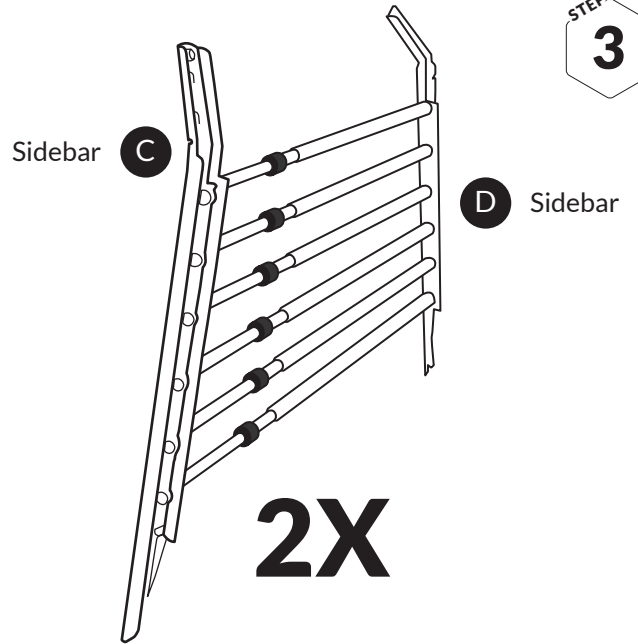
M-R3015M5S 2X 	M-B1646,2SLD 2X Ø13mm plastic 	M-VBM5X16 2X 
---	--	--





STEP  
**2**

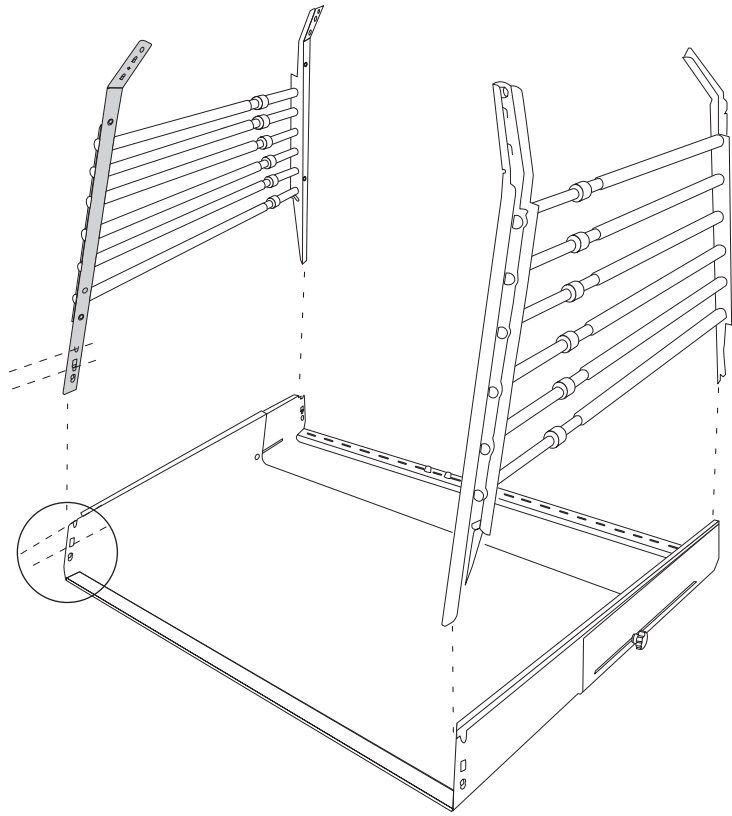
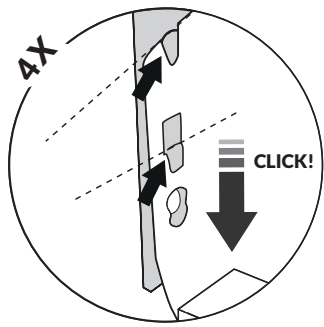


STEP  
**3**



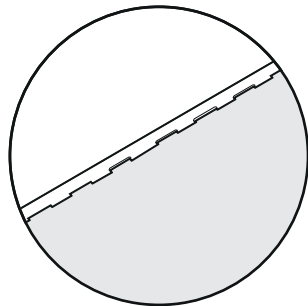
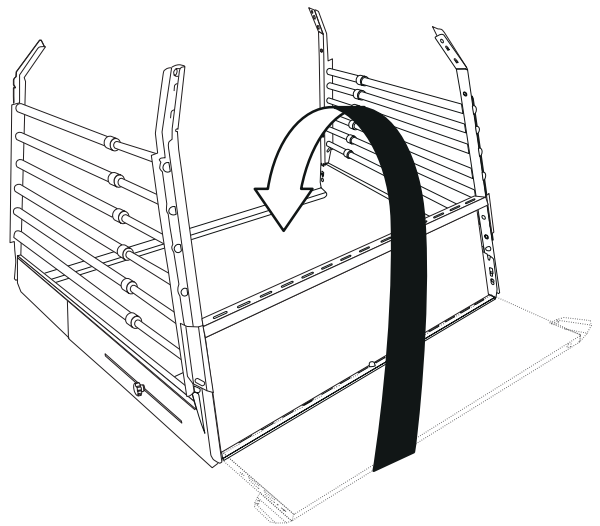
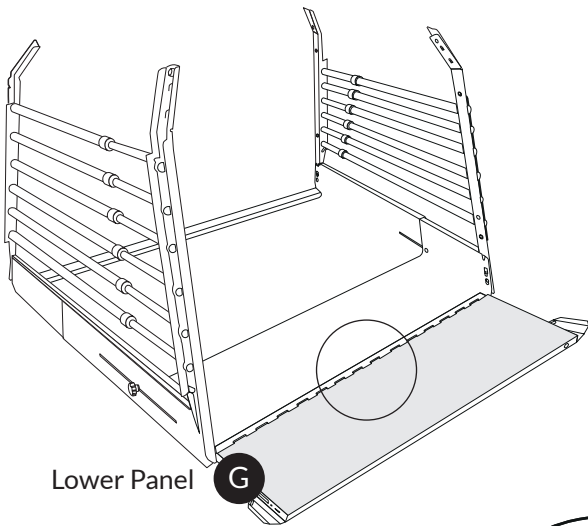
M-460641AY 	M-460641BA 
00377 8X 00383 10X 00361 10X 00362 12X 00364 12X 00365 12X 00382 14X 00369 16X	00377 8X 00383 10X 00361 10X 00362 12X 00364 12X 00365 12X 00382 14X 00369 16X
rubber end caps	plastic end caps

STEP  
**4**

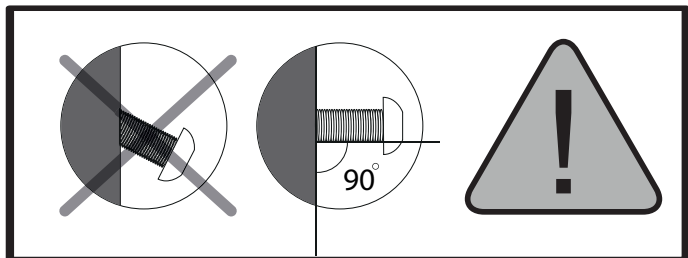
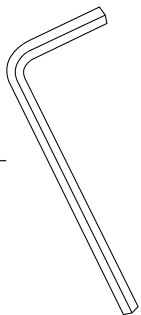
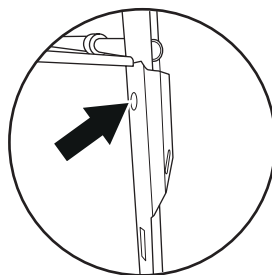
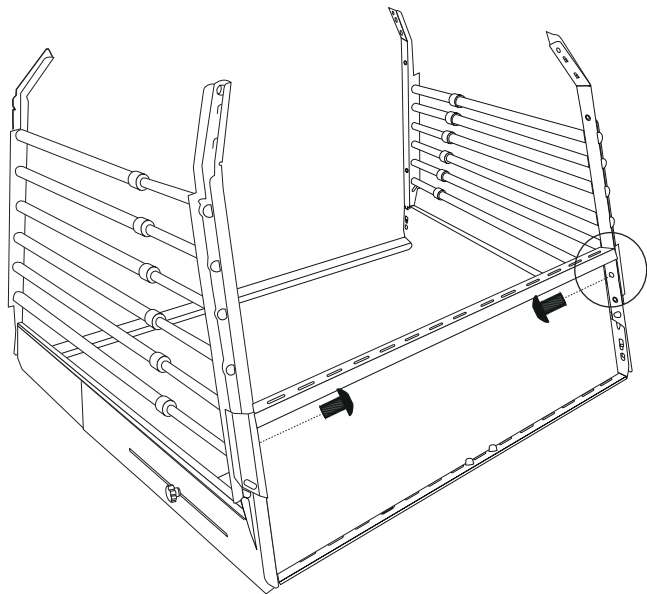


STEP  
**5**

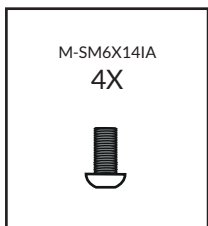
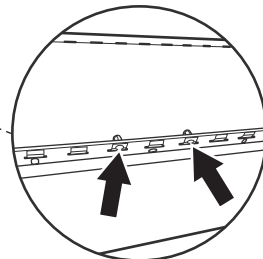
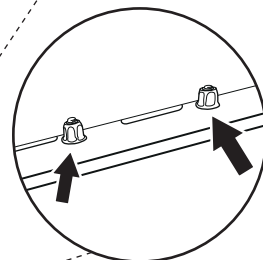
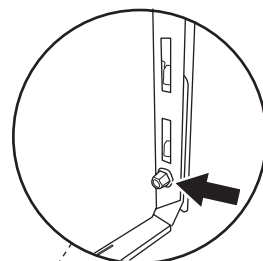
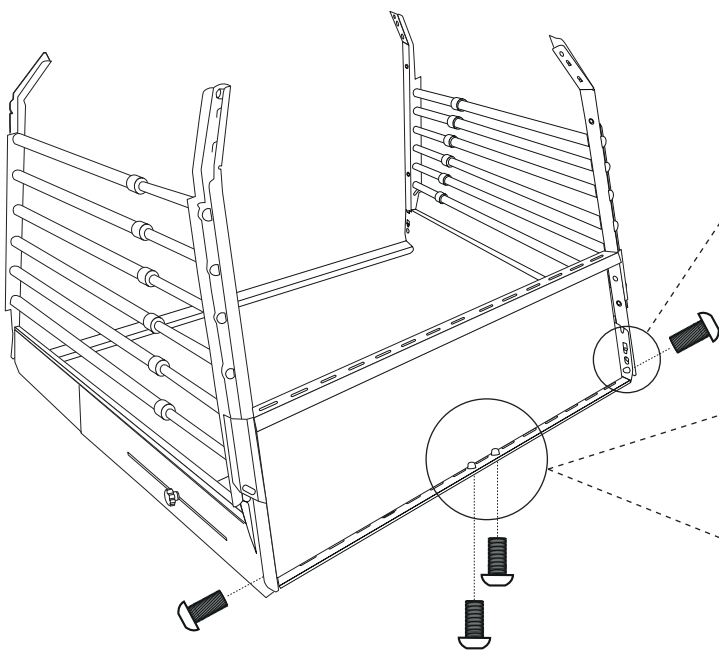
**180°**



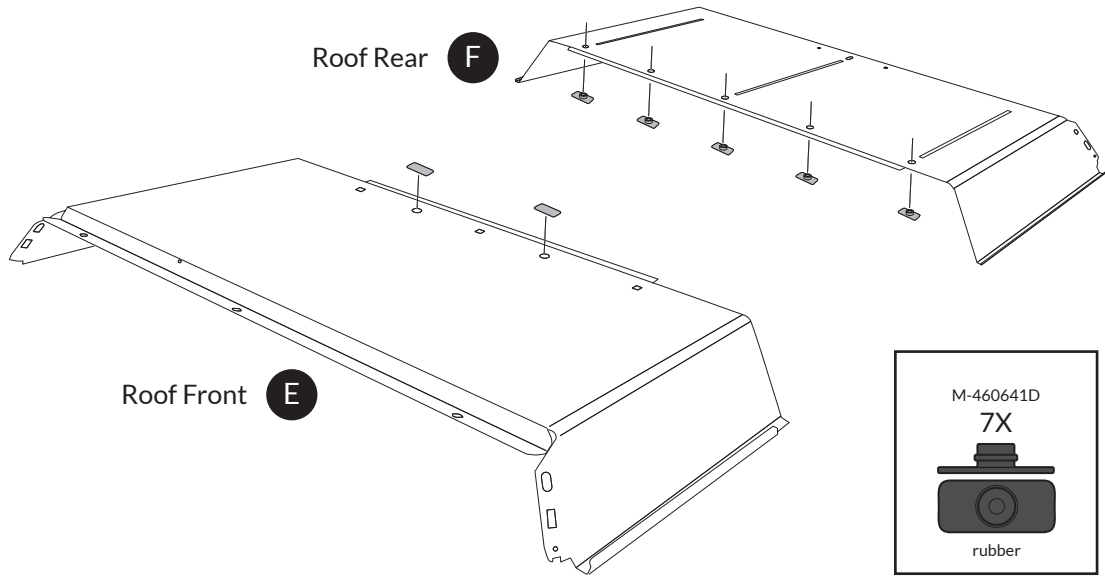
STEP  
**6**



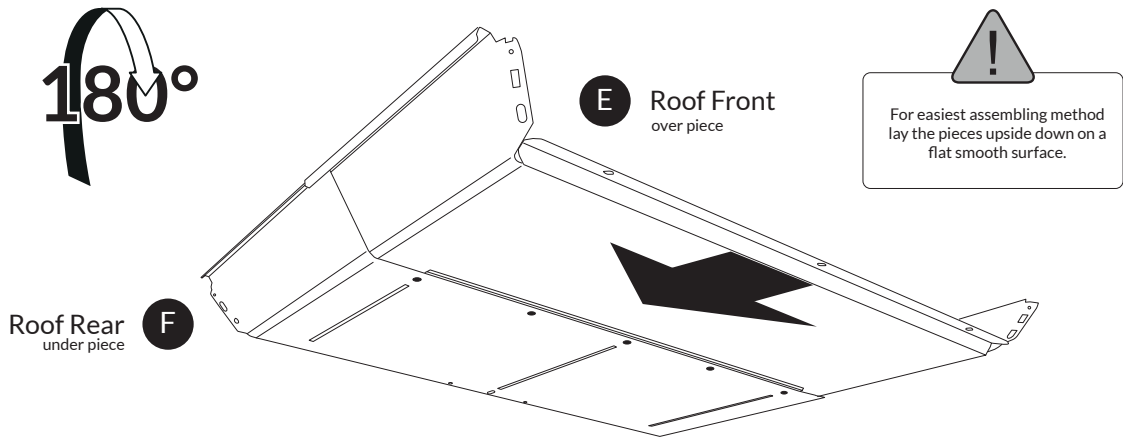
STEP  
**7**



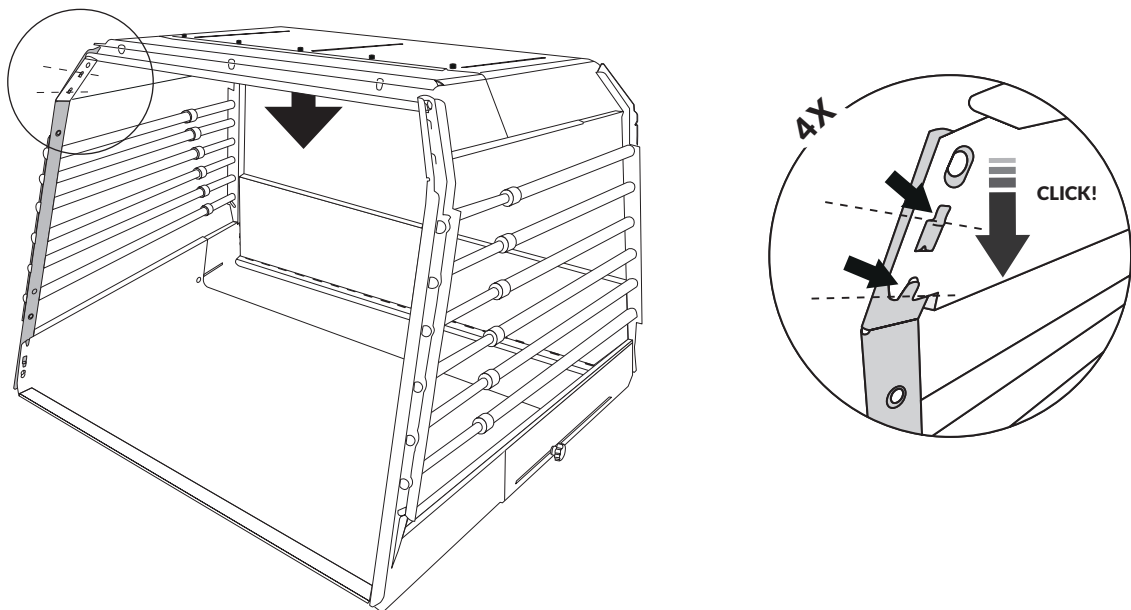
STEP  
**8**



STEP  
**9**




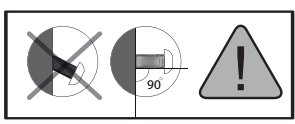
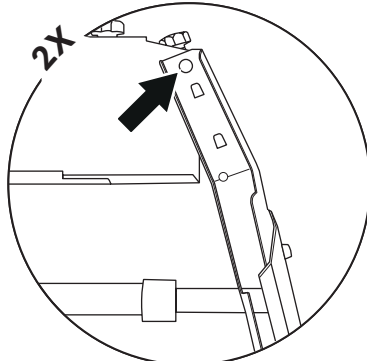
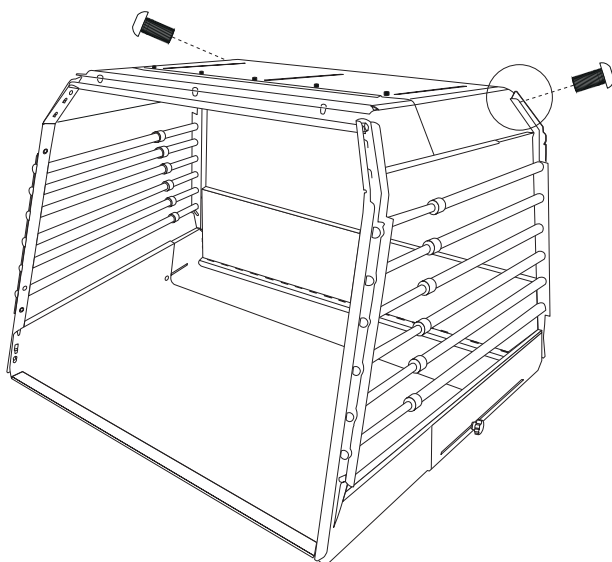
STEP  
**10**



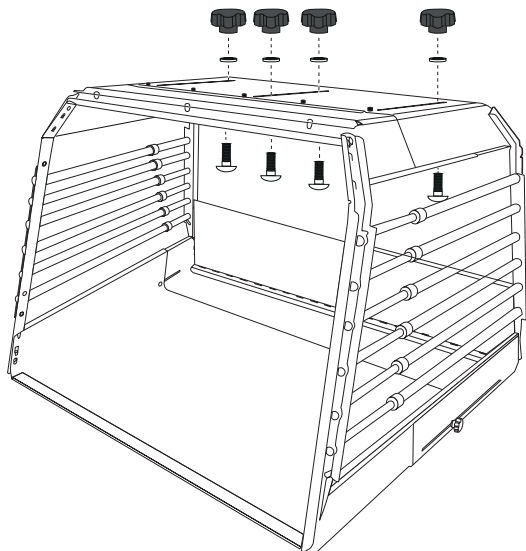





STEP  
**11**

M-SM6X14IA  
2X

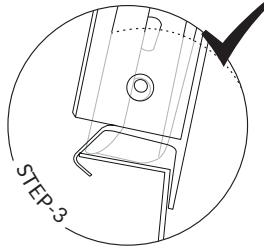
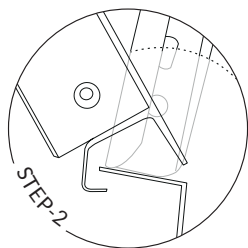
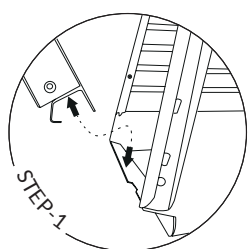
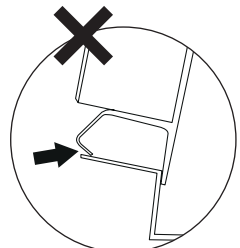
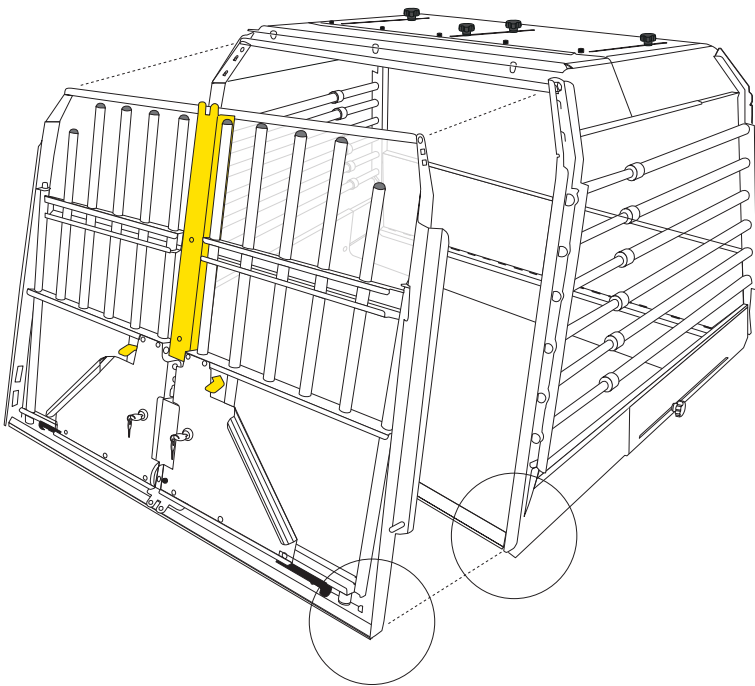



STEP  
**12**

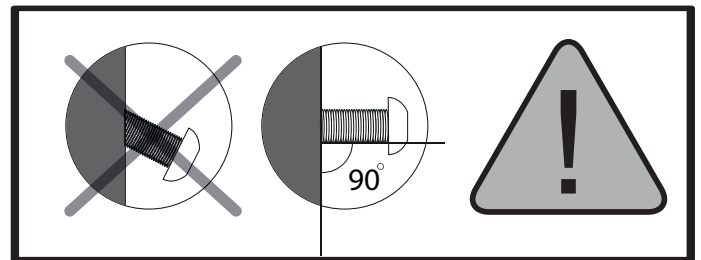
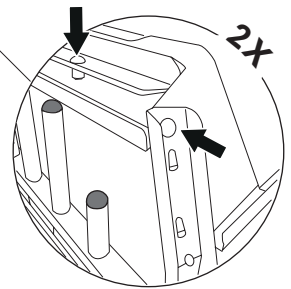
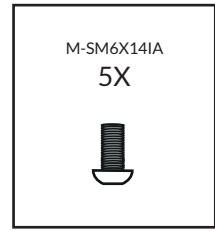
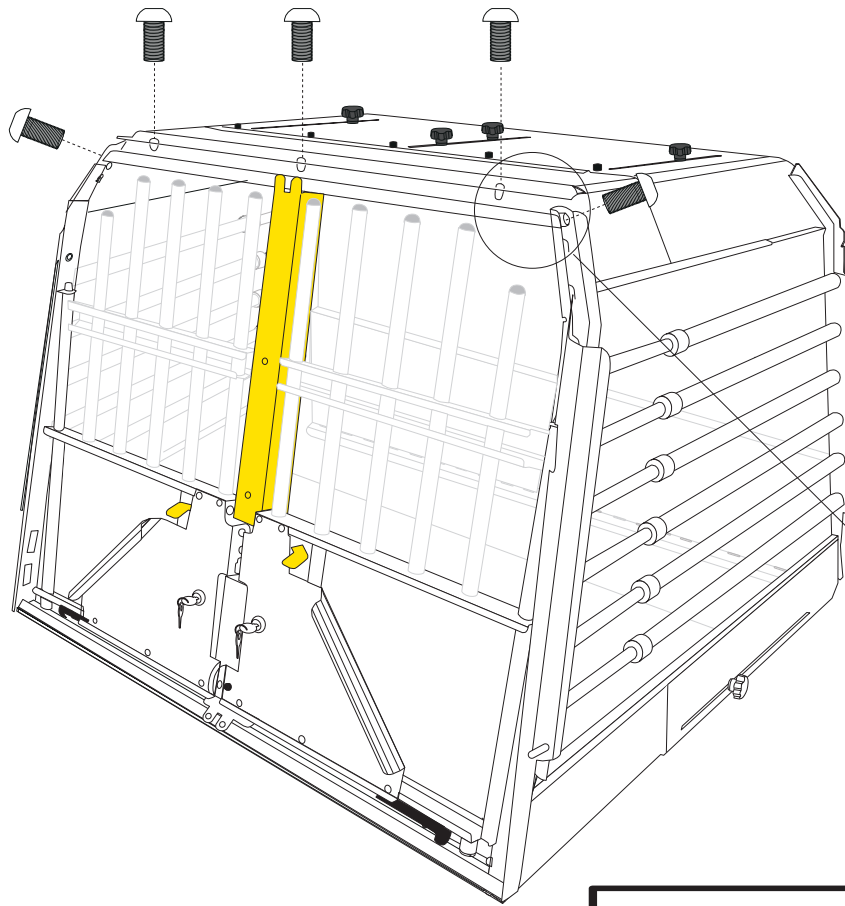


M-R3015M5S 4X	M-B1646.2SLD 4X Ø13mm plastic	M-VBM5X16 4X
		

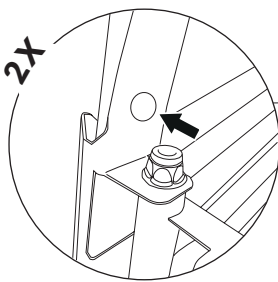
STEP  
**13**



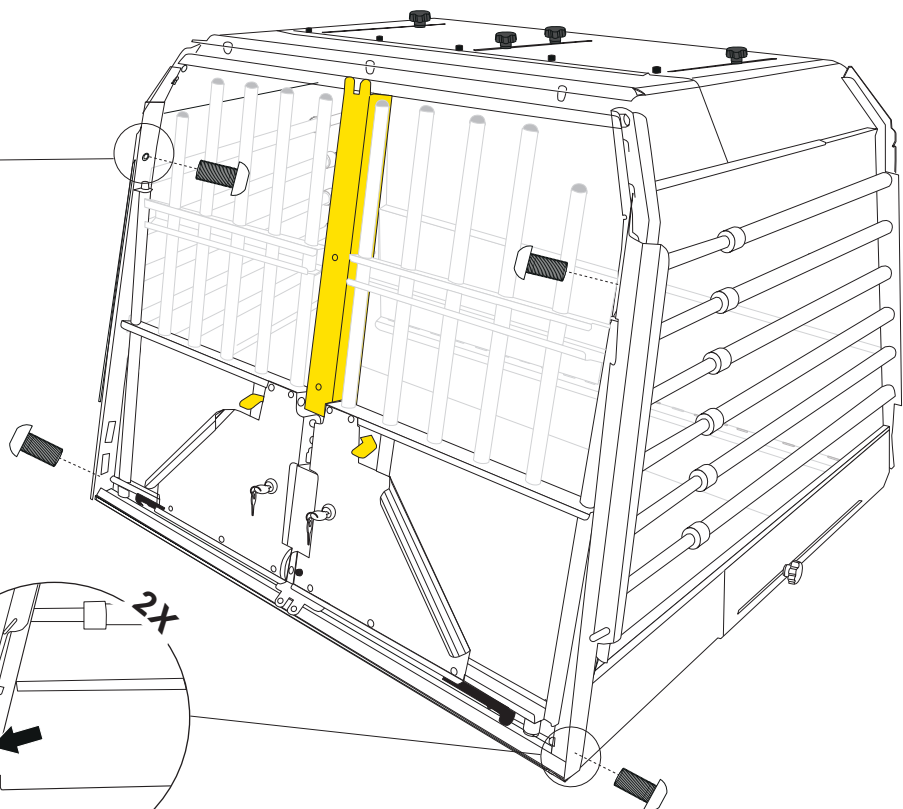
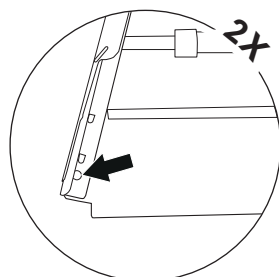
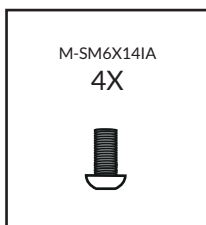
STEP  
**14**



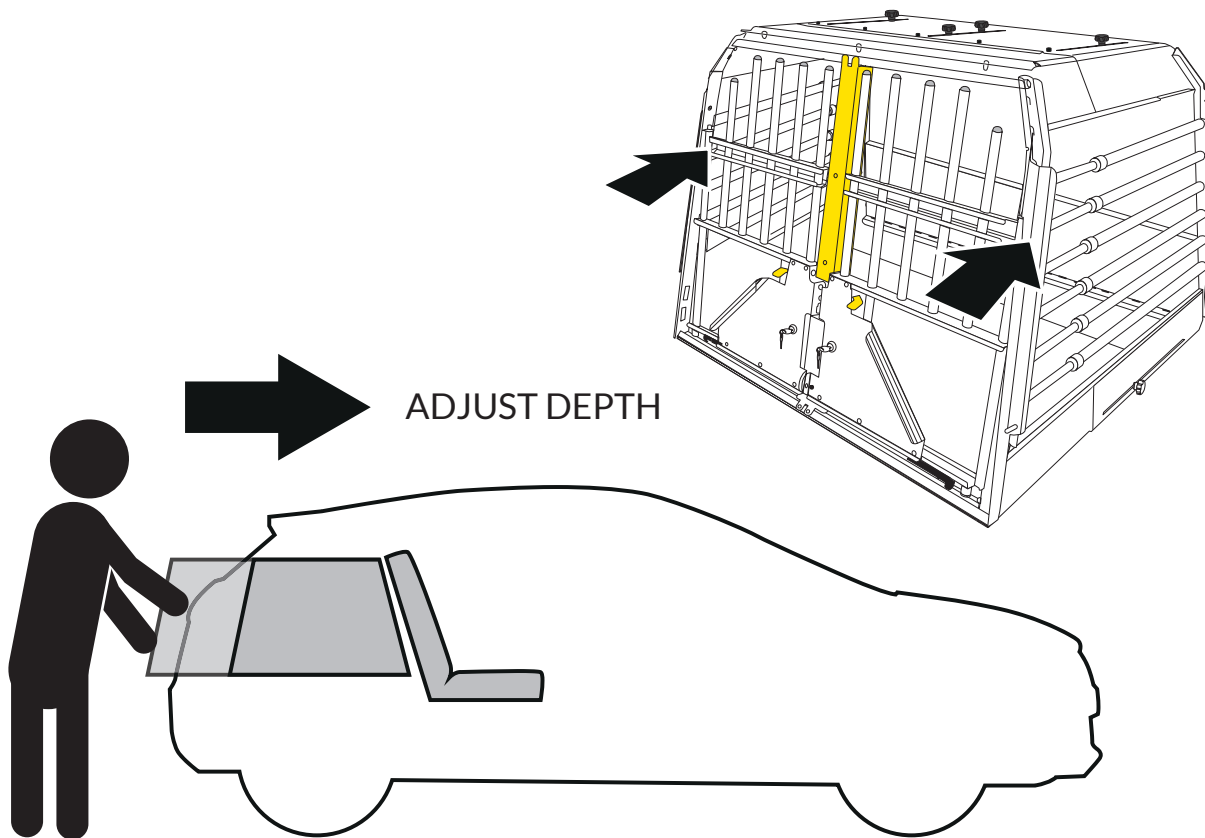
STEP  
**15**



Open the doors  
before installing  
these screws

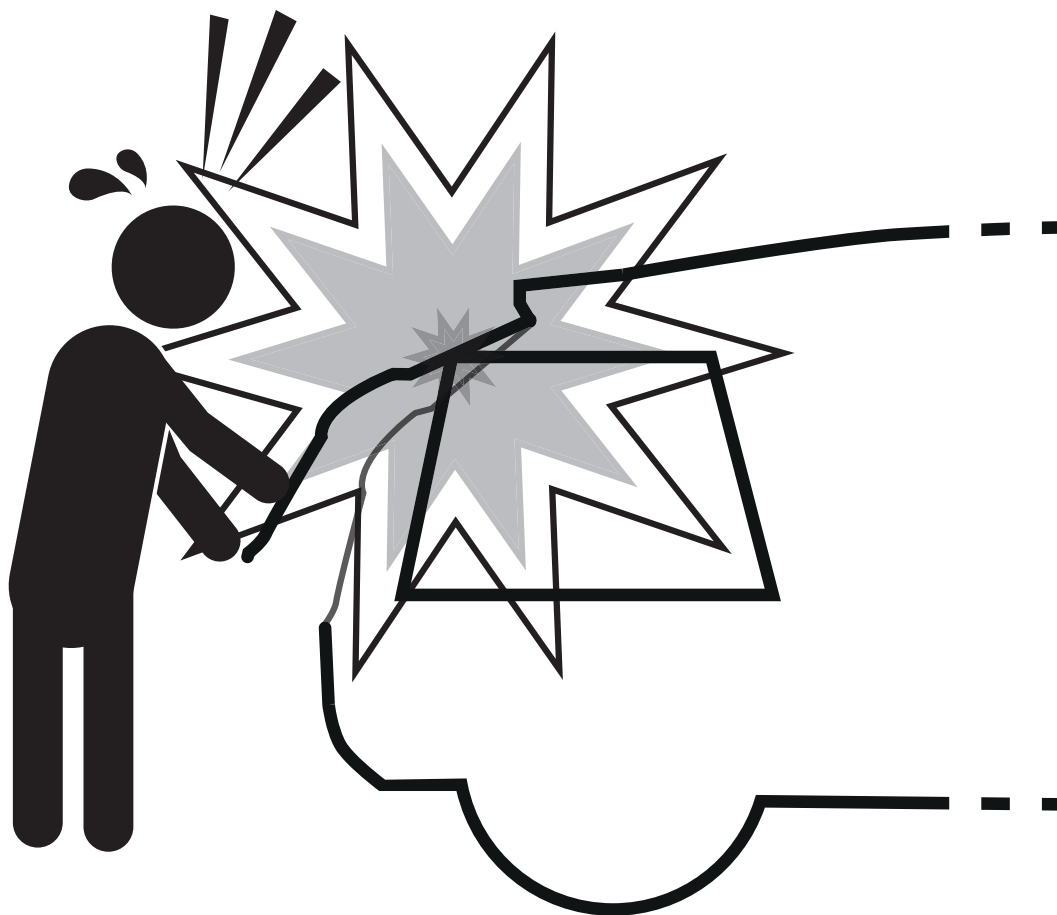


STEP  
**16**

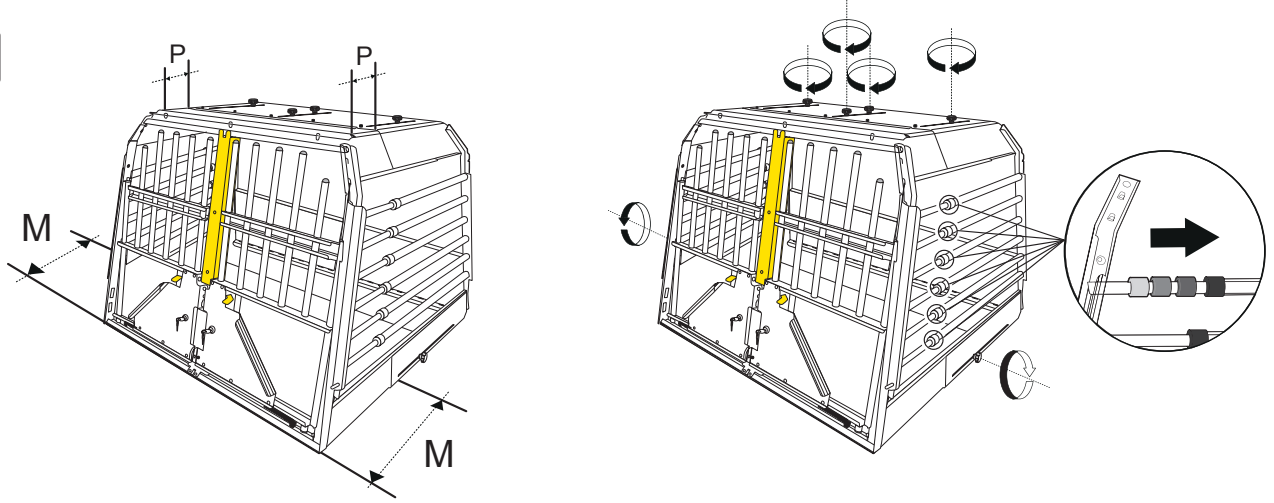


STEP  
**17**

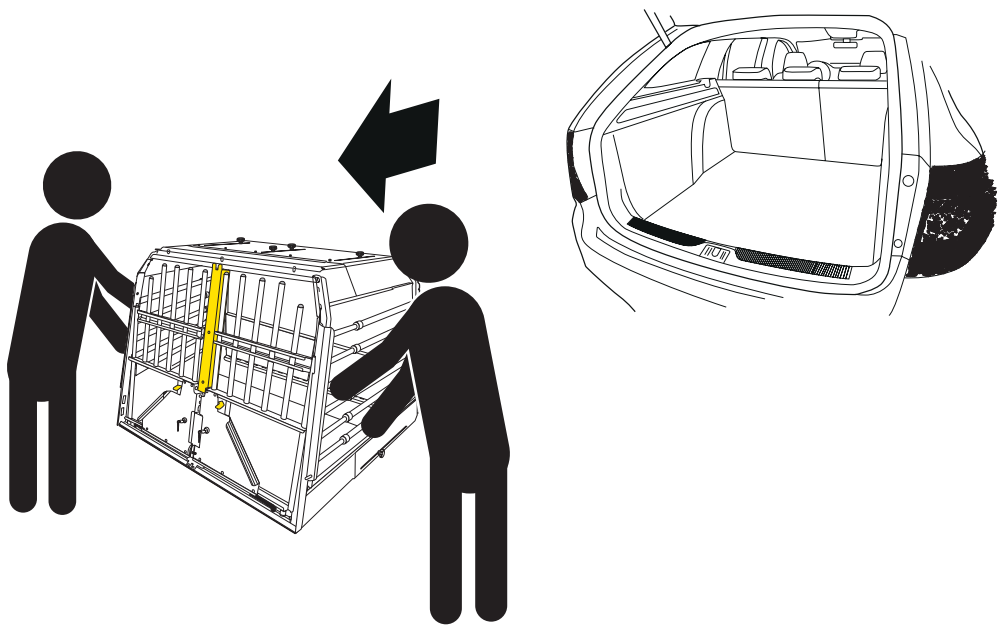
**WARNING!**



STEP  
**18**

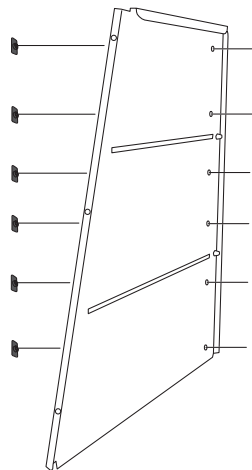


STEP  
**19**

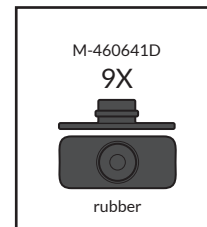
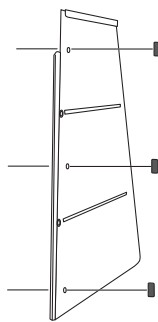


STEP  
**20**

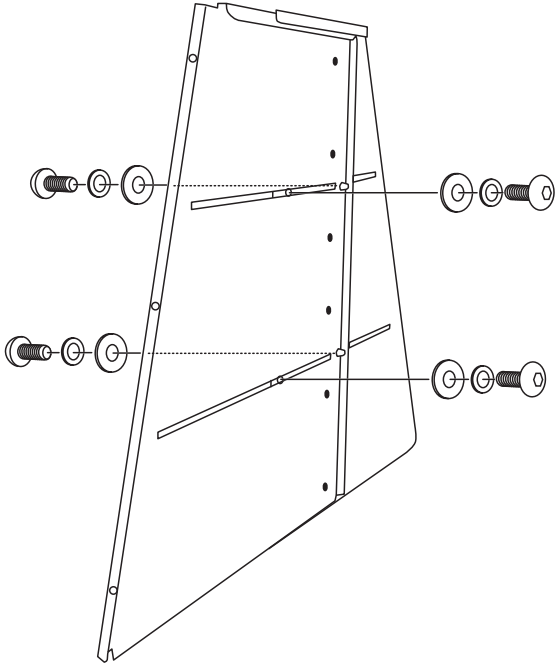
**K** Divider Door






**J** Divider Escape Hatch



STEP  
**21**



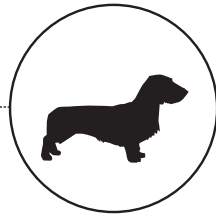
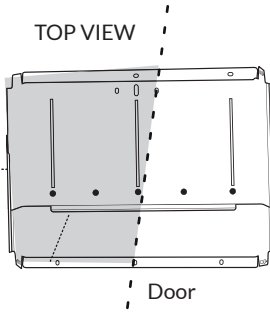
Do not tighten screws in panel yet.  
This will be done in the next step.

M-SM6X14IA 4X 	M-BR6X19X1S 4X Ø19mm 	M-B251,56,5SLD 4X Ø25mm 
---	---	--

STEP  
**22**

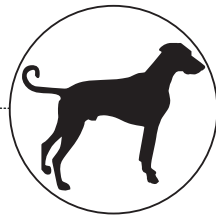
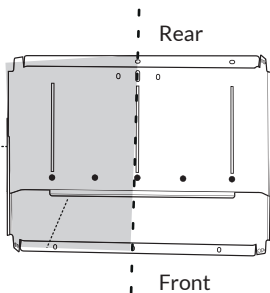
Divider is fixed in the doors center post.  
On the other side at the emergency hatch there is 3 positions to choose from, Left, Center and Right.

**Option A**  
Angled divider



If you got different size of dogs they might need different size of room in the cage.  
Use the Left or Right position for the Divider.

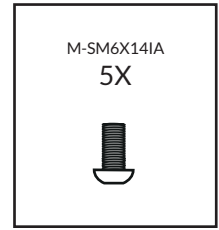
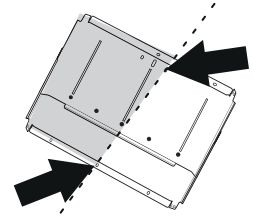
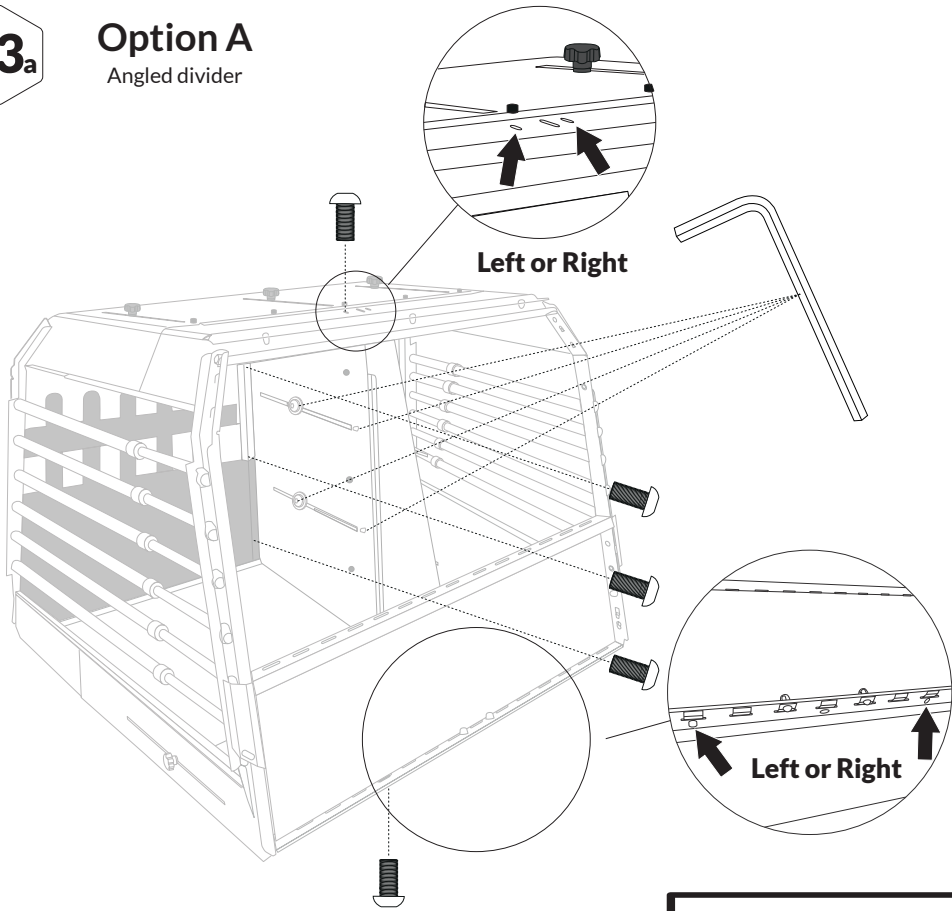
**Option B**  
Straight divider



If you got same size of dogs they could have equal size of room in the cage.  
Use the Center position for the Divider.

STEP  
**23a**

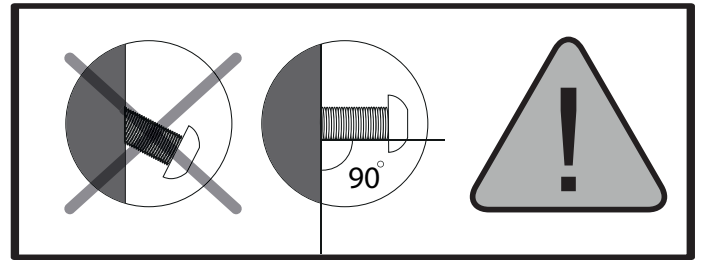
### Option A Angled divider



When using an angled divider use the left hole for both the top and the bottom screw.

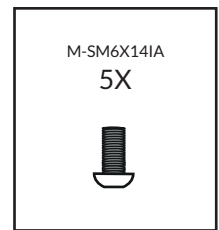
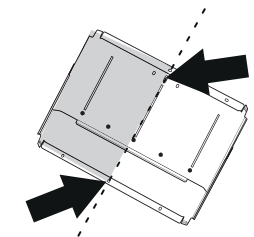
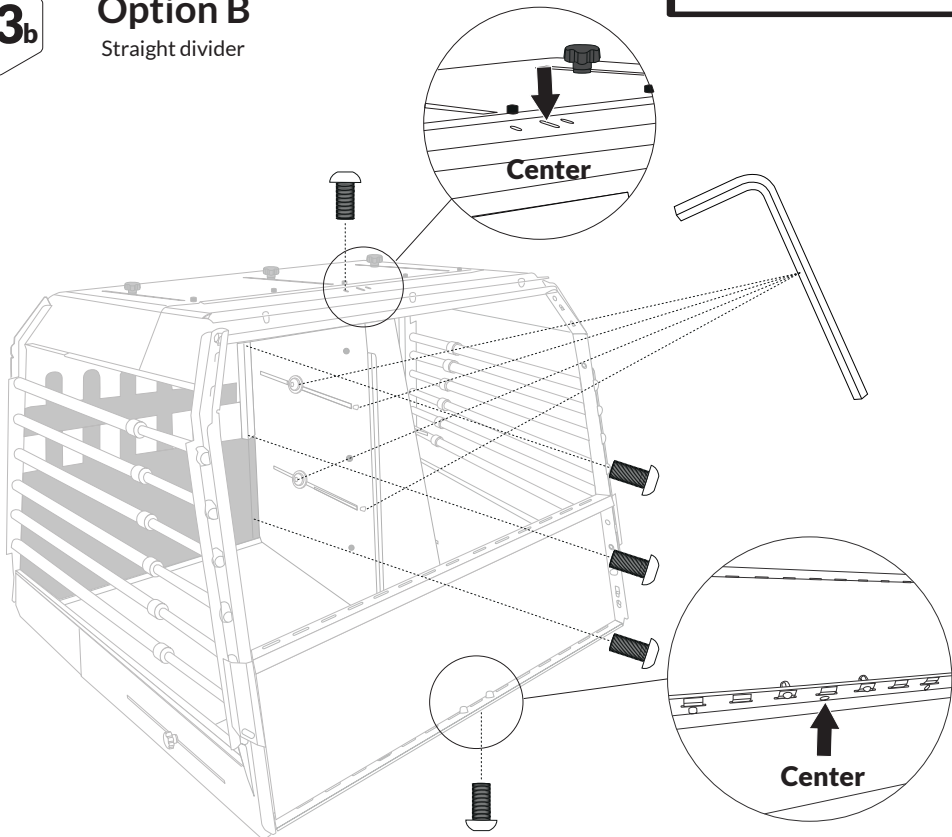
Or if you want it to the other side use the right hole at both places.

Tighten screws in panel.



STEP  
**23b**

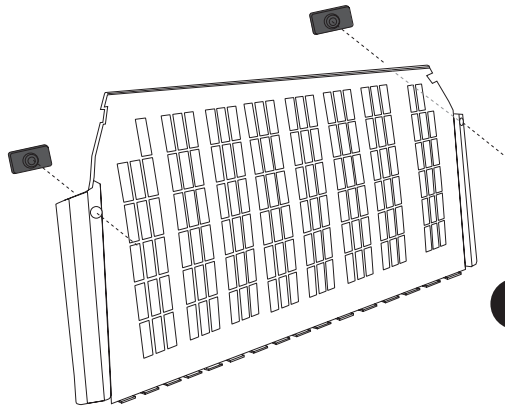
### Option B Straight divider



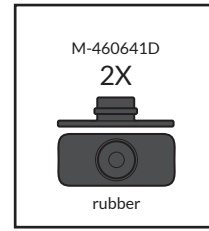
Use the center hole both at the top and bottom.

Tighten screws in panel.

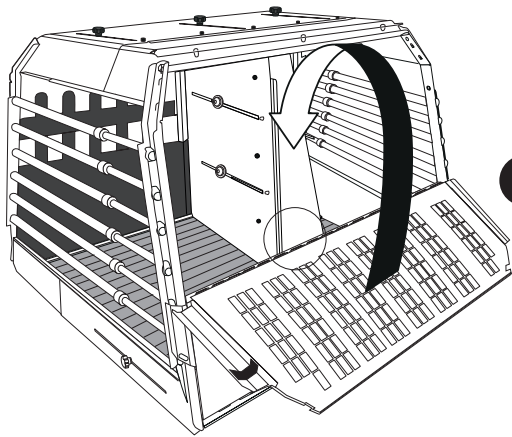
STEP  
**24**



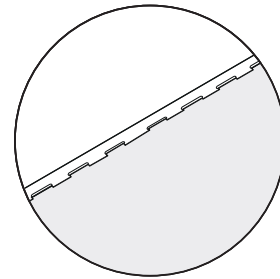
**H** Escape Hatch



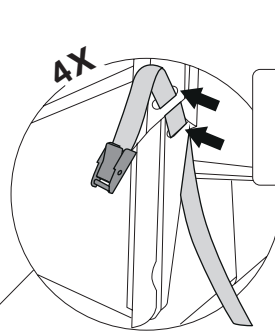
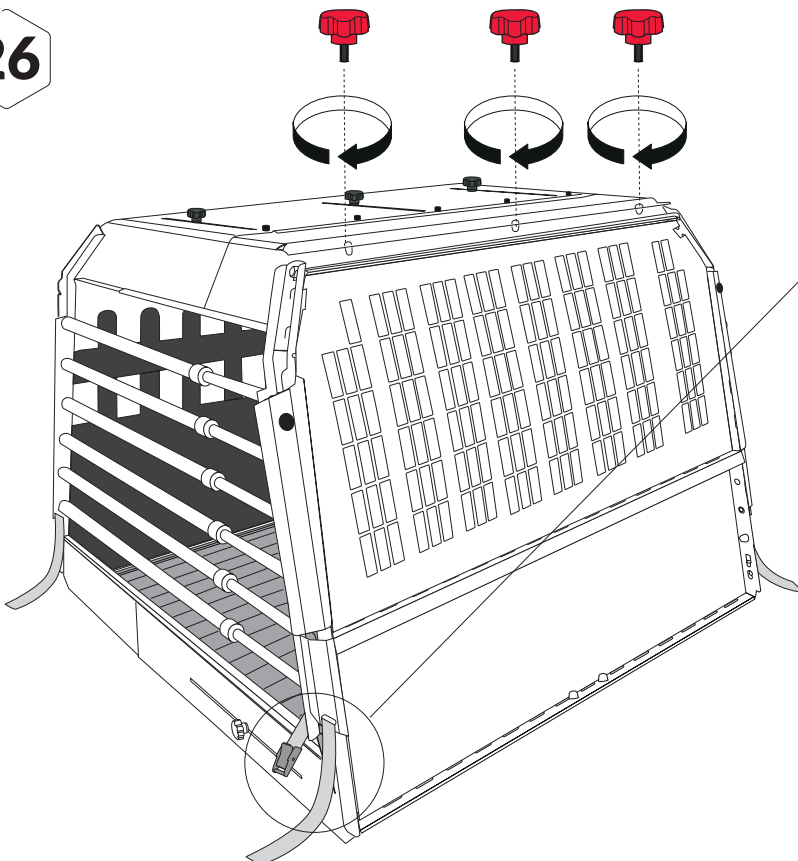
STEP  
**25**



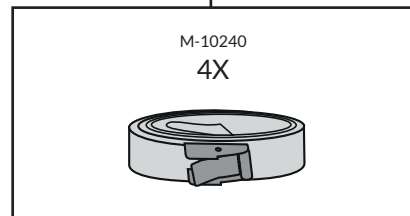
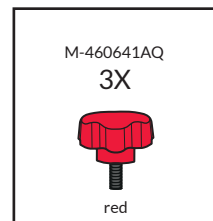
**H** Escape Hatch



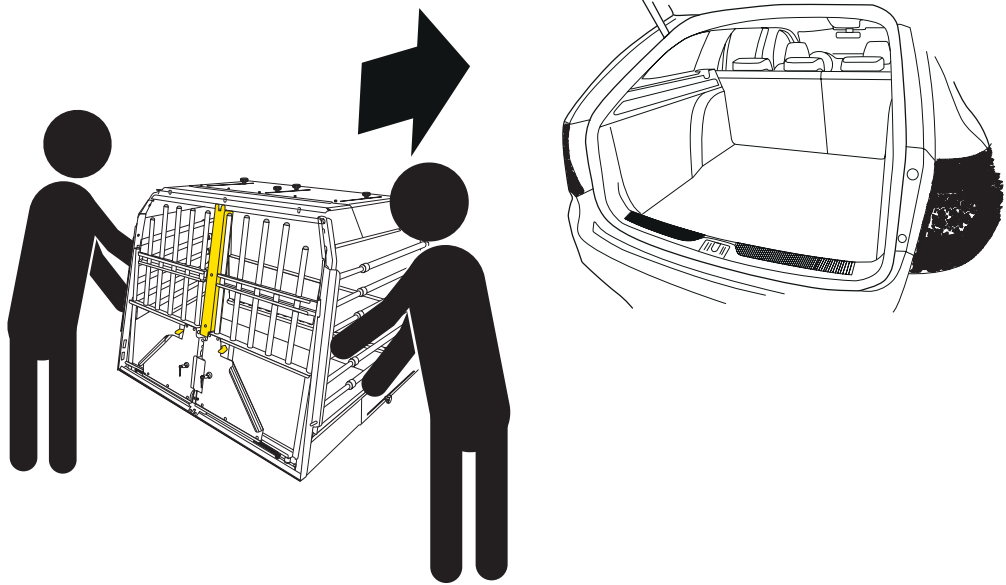
STEP  
**26**



**!**  
**IMPORTANT!**  
The band must go through both plates.



STEP  
**27**



STEP  
**28**

