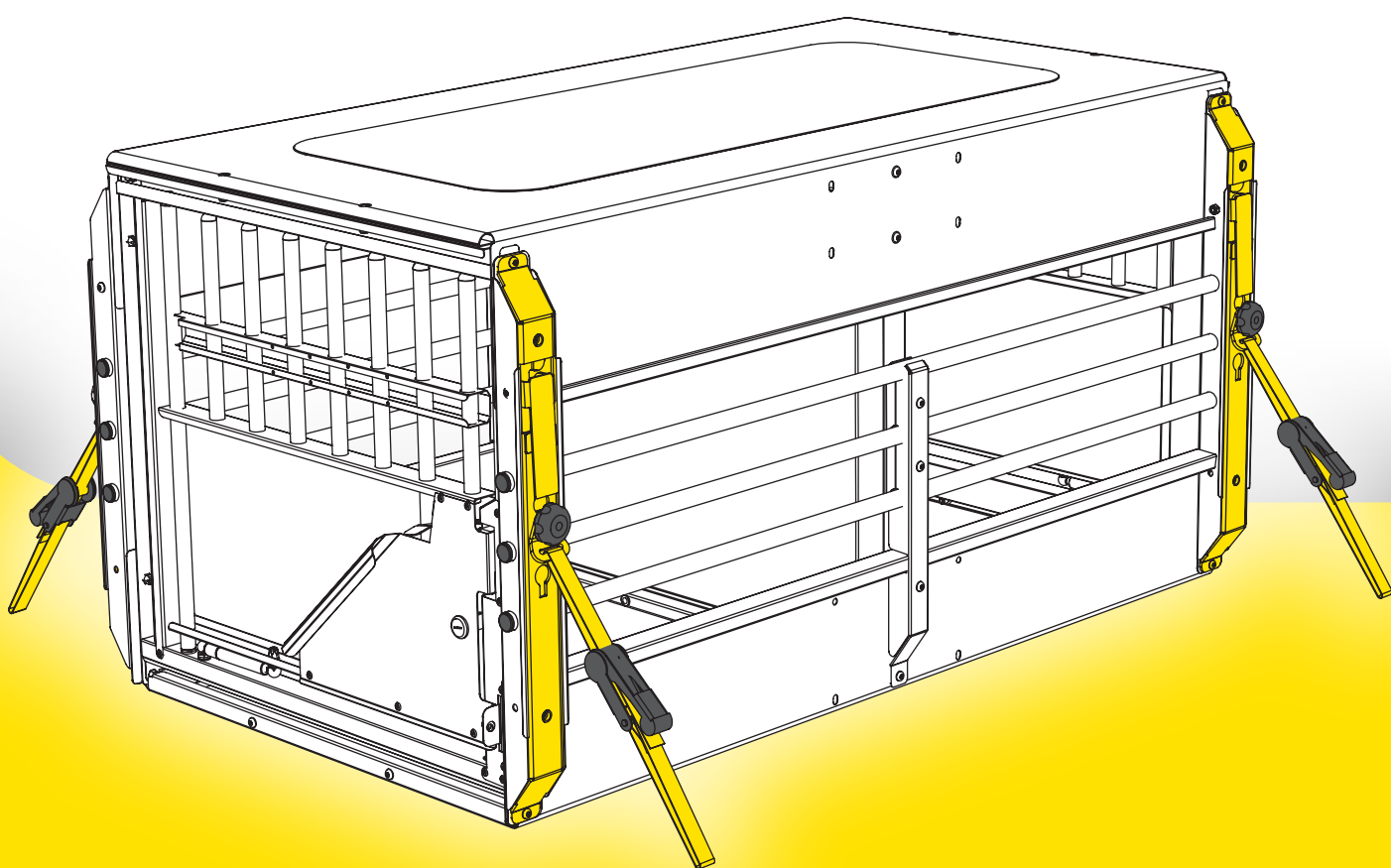


# mimSAFE

[www.mimsafe.se](http://www.mimsafe.se)



ASSEMBLY INSTRUCTIONS

# MULTICAGE

double





## IMPORTANT

## GENERAL

MultiCage is made for transport of dogs in vehicle. The cage is made of splinter proof and energy absorbing materials.

It has undergone rigorous crash tests it's design-protected and made of galvanized steel painted with a very weather-resistant polyurethane paint suitable for its use. The design reduces the risk of injury and the choice of material eliminates the risk of splitting damage and gives the cage its energy absorbing characteristics. The product comes with ratchets and anchoring hooks with quick lock to simplify the installation in the vehicle. Practical retractable lifting handles and lockable door with gas spring helps holding the door open when needed.

## BEFORE YOU BEGIN

**Ensure that you work on a flat surface. If the cage is assembled indoor protect the floor with a blanket or carpet to avoid damaged during assembly.**

Read the instruction carefully before you begin, it gives you a better understanding when you work step by step during the assembly.

You can assemble the cage by yourself but it helps a lot to be two during some of the assembly steps.

## RECOMMENDED AREA OF USE

MultiCage is suitable for transport vehicles, motorhomes, vans and pickups with proper cargo loops. It's not intended to be installed behind the rear seat in a station wagon.

If the cage is installed behind the rear seat in a VAN, make sure you don't interfere with the vehicle's deformation zone.

## CRASH TEST

This model is crash tested at

**Rise Research Institutes of Sweden AB**

Frontal Impact test of a Multi Cage dog crate according to ECE Regulation No. 17

Test protocol is available from the manufacturer on request.

## DAILY INSPECTION

- Make sure the dog cage is intact
- That there is no sharp edges
- That the door lock works
- Check that it is attached to the vehicle's cargo loops

## CLEANING

Use a soft cloth with water and mild soap.

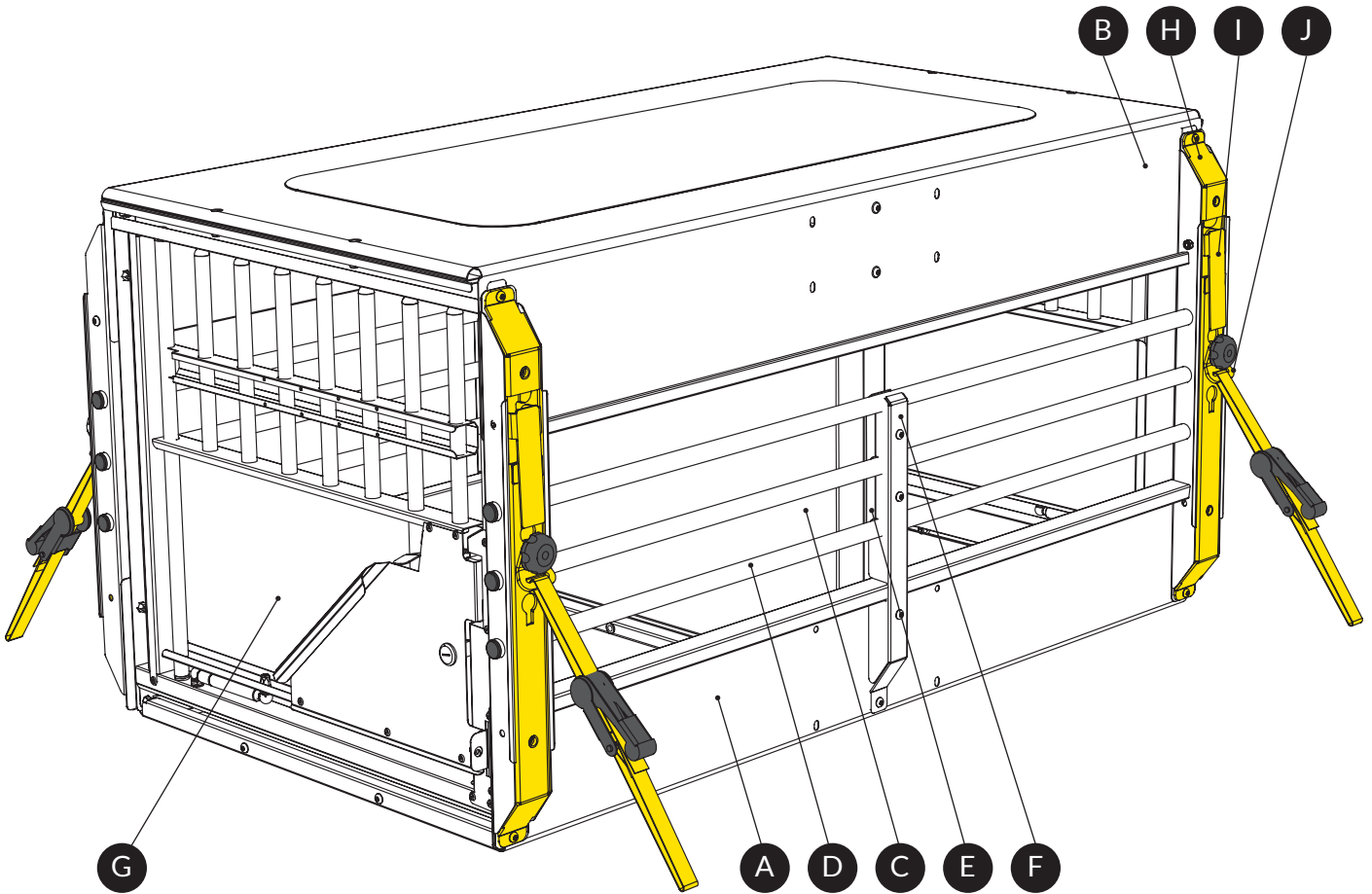
## The story of MIMsafe

For more than 30 years, MIMsafe has worked with functional design and manufacturing of safety products for the modern automotive industry. With documentation from hundreds of crash tests and in close collaboration with the major car manufacturers, safe products have been developed and transformed into knowledge. Under the well-known brand name MIMsafe, we have become the leading manufacturer of crash tested and crush proofed non-whiplash dog cages all over the world.



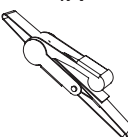
## MANUFACTURER

MIM Construction AB  
Myren 125  
SE-462 94 Frändefors  
Sweden

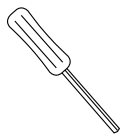

+46 10 55 00 450  
info@mim.se  
www.mimsafe.com






**BAG**





<p>M-SM6x14IA 28X</p> 	<p>IKP1915-17S 6254C - 8X 6260C - 12X 6275C - 20X</p>  <p>plastic end caps</p>	<p>M-10520 4X</p> 
---	---	---

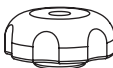


**INCLUDED TOOLS**

<p>ALLEN KEY DRIVER 1X</p> 	<p>Combination spanner 1X</p> 
---	---





<p>M-SM6x55-IK 4X</p> 	<p>M-MM6NyS 4X</p> 	<p>M-460641D 4X</p>  <p>rubber</p>
---	--	---

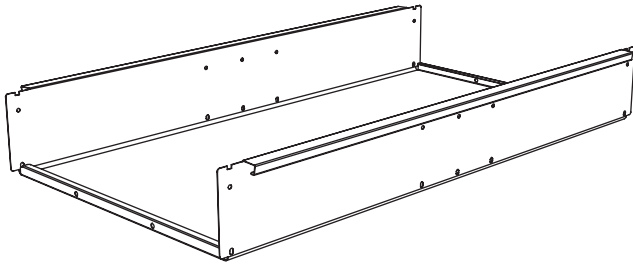
**BAG**

<p>M-VBM6x45FZB 6X</p> 	<p>M-VBM6x12FZB 2X</p> 	<p>M-BR6,4x12x1S 8X</p> 	<p>M-MM6MHM-6FZB 8X</p> 
--	---	---	---

<p>M-460641I 4X</p> 	<p>M-BR8x19x1,5S 4X</p> 	<p>M-VBM8x20S88 4X</p> 
---	---	--

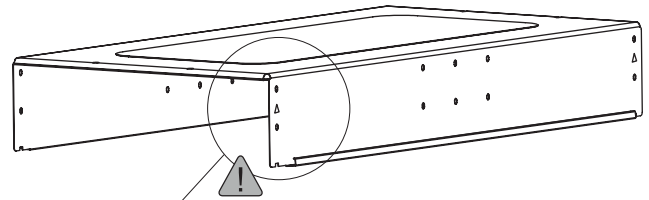
**BAG**

<p>M-B1687-6SLD 2X</p> 	<p>M-SFF206M622S 2X</p> 	<p>M-SM6x14IA 2X</p> 	<p>M-SM6x45-IK 6X</p> 
--	--	--	---



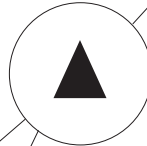
**A** Floor

6254A 6260A 6275A	1X
Product no	No of items

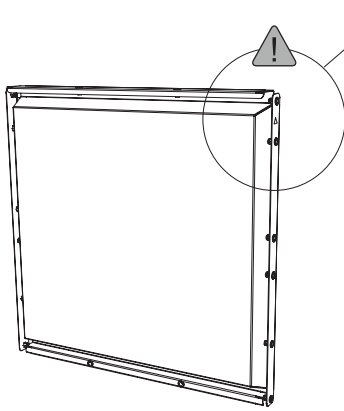


**B** Roof

6254E 6260E 6275E	1X
Product no	No of items

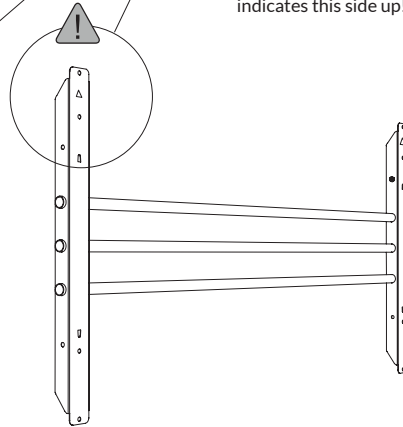


**IMPORTANT**  
Notice the triangle mark,  
indicates this side up!



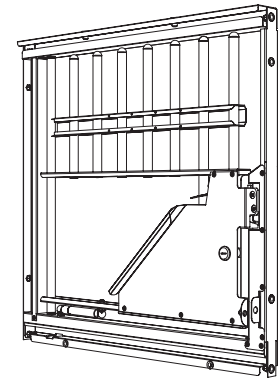
**C** Divider panel

6254J 6260J 6275J	1X
Product no	No of items



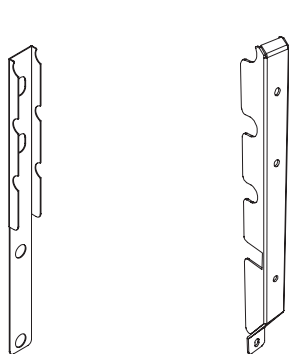
**D** Sidebars

6254C 6260C 6275C	2X
Product no	No of items



**G** Door section

6254I 6260I 6275I	2X
Product no	No of items

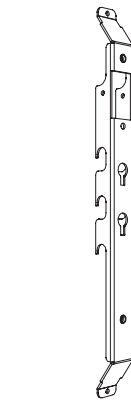


**E** Divider anchor

6254M 6260M 6275M	2X
Product no	No of items

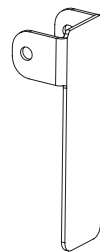
**F** Divider anchor

6254S 6260S 6275S	2X
Product no	No of items



**H** Frame bar

6254N 6260N 6275N	4X
Product no	No of items



**I** Handle

6260P	4X
Product no	No of items



**J** Anchor

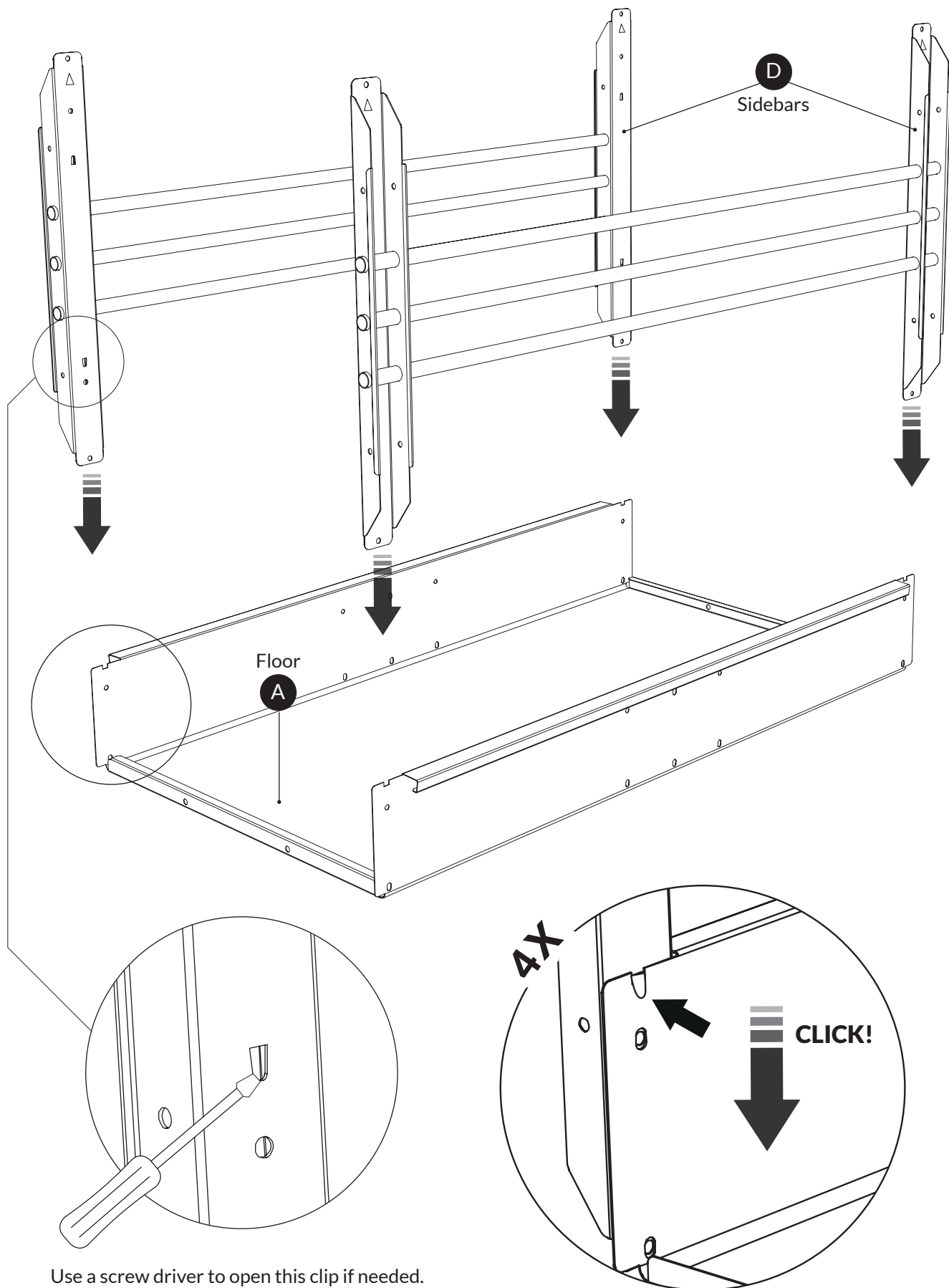
6260R	4X
Product no	No of items



**K** Locking plate

6254T 6260T 6275T	2X
Product no	No of items

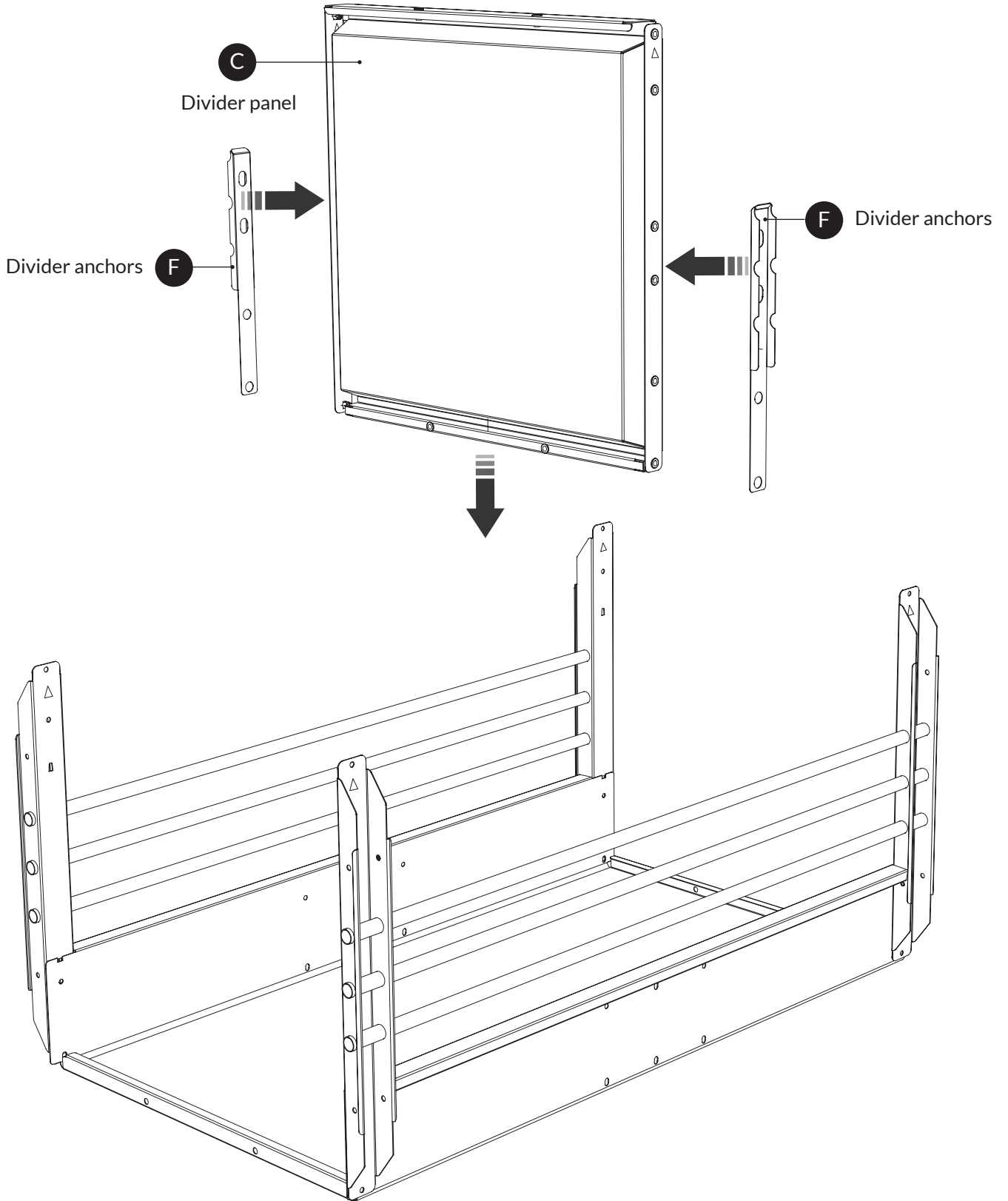
STEP  
**1**



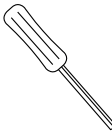


Use a screw driver to open this clip if needed.  
This is only a help for assembly and have no  
influence on the safety of this product.

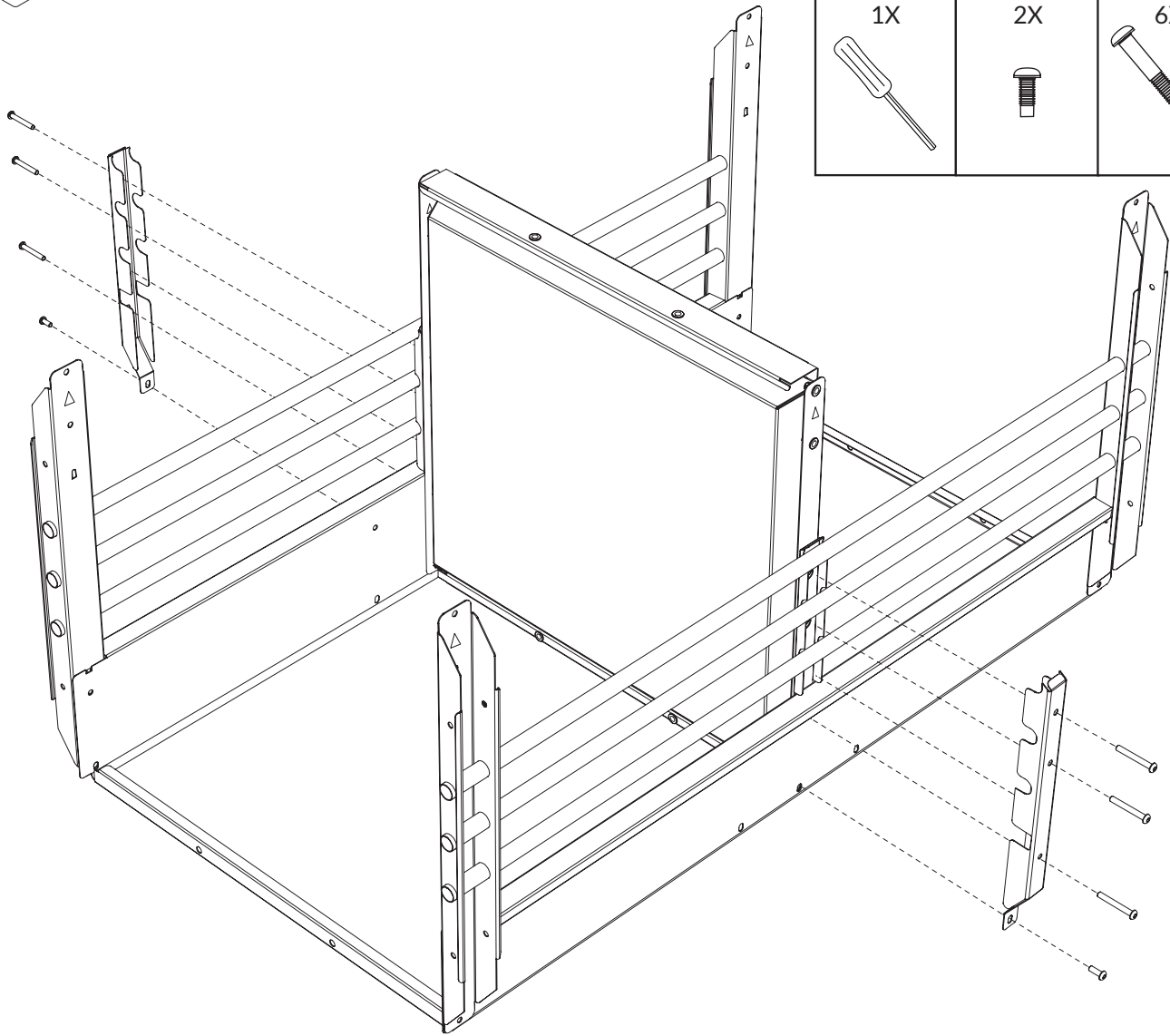
STEP  
**2**

If you don't want to use the divider panel continue to step 5

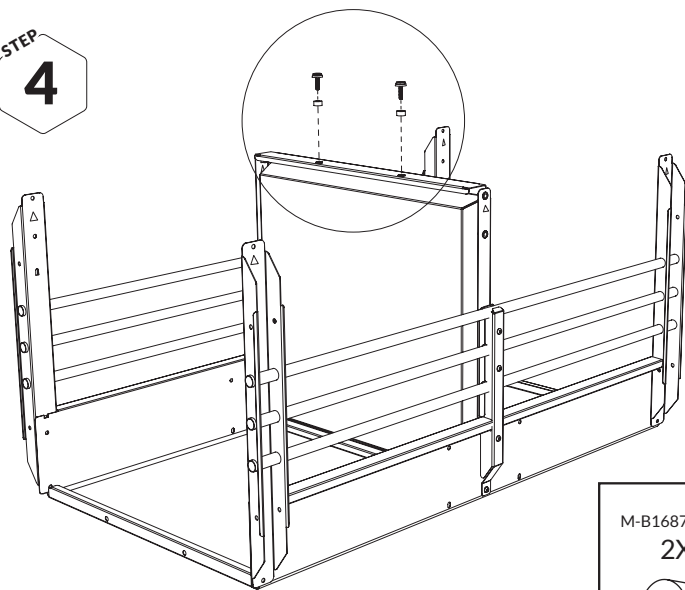
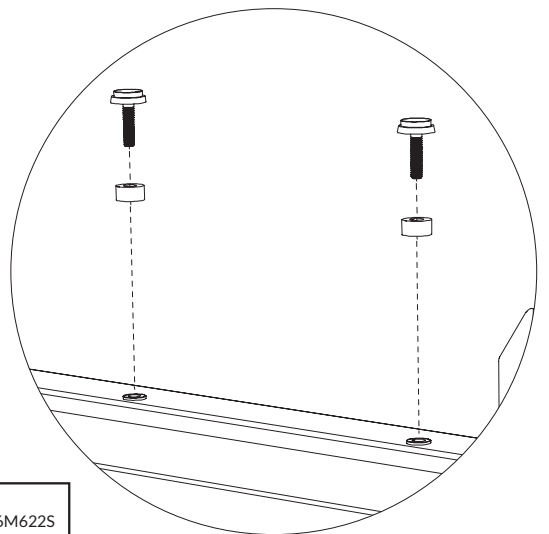


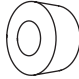
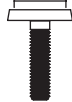
STEP  
**3**

ALLEN KEY 4 <b>1X</b> 	M-SM6x14IA <b>2X</b> 	M-SM6x45-IK <b>6X</b> 
---	--	---




STEP  
**4**

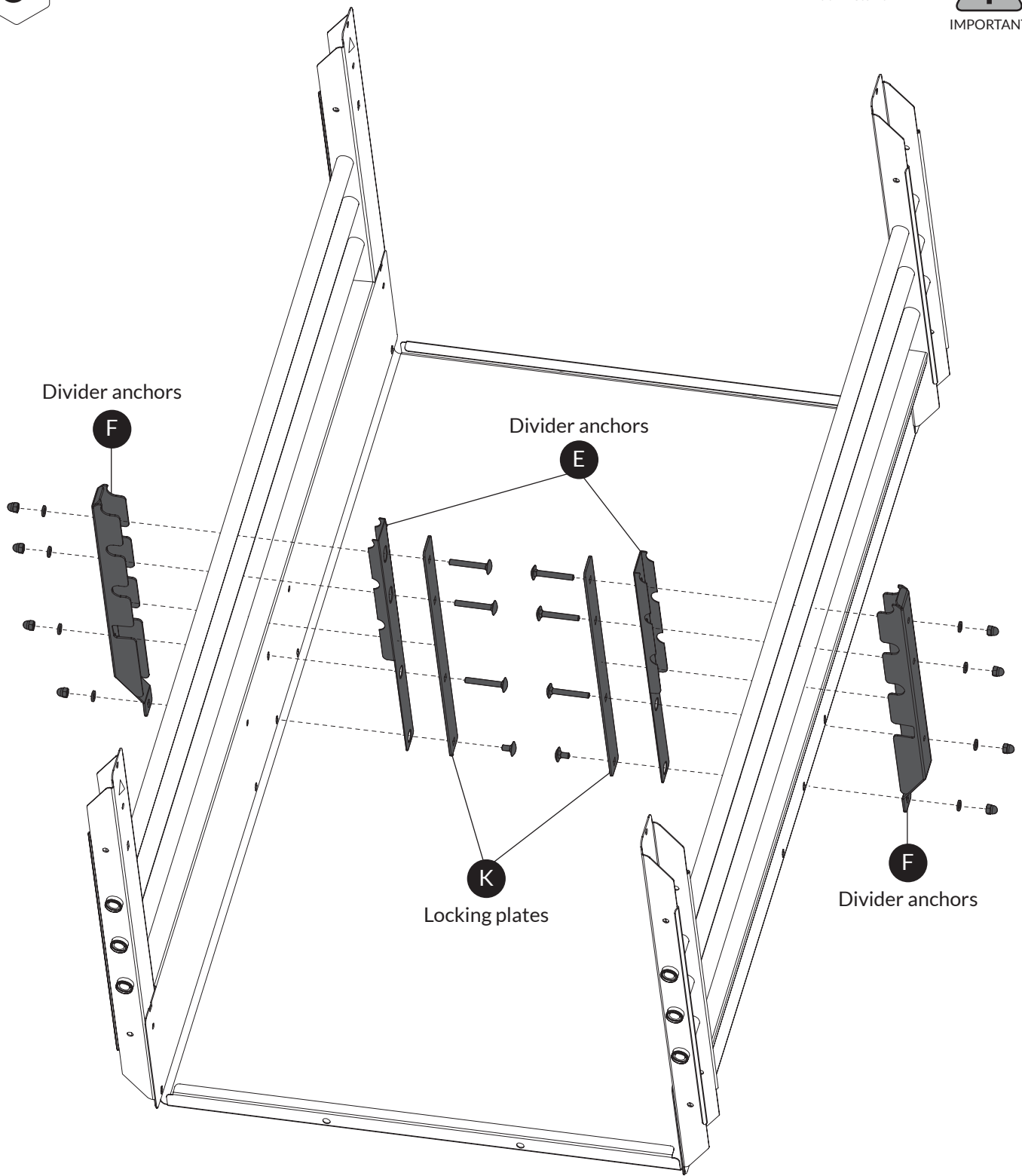


M-B1687-6SLD <b>2X</b> 	M-SFF206M6225 <b>2X</b> 
--	---





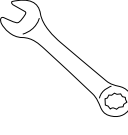


STEP  
**5**

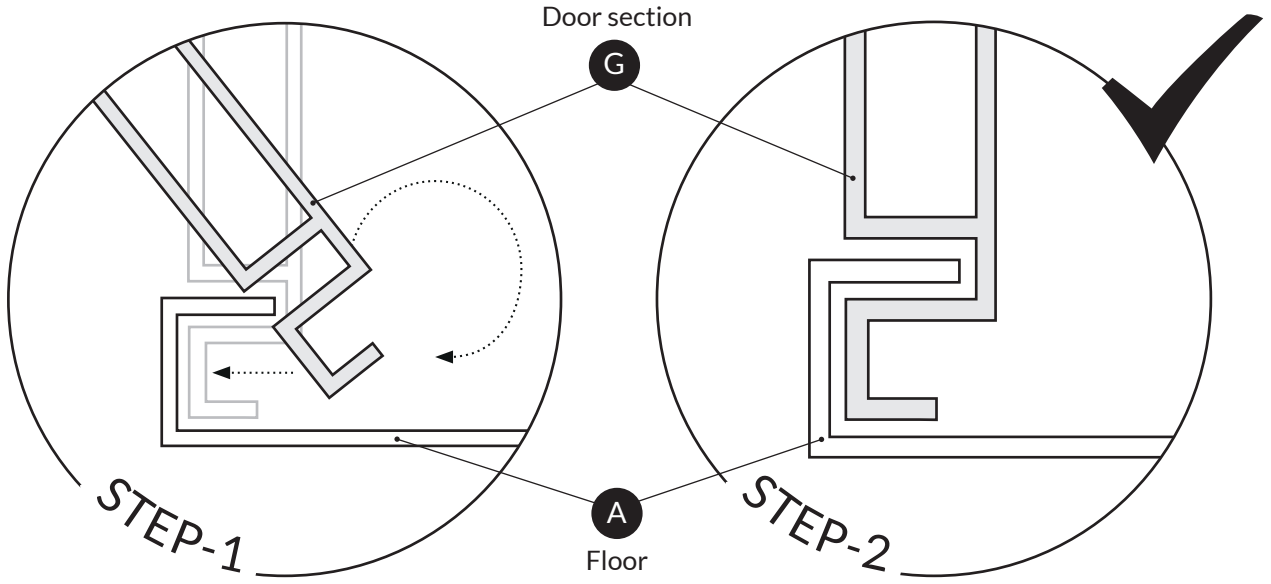
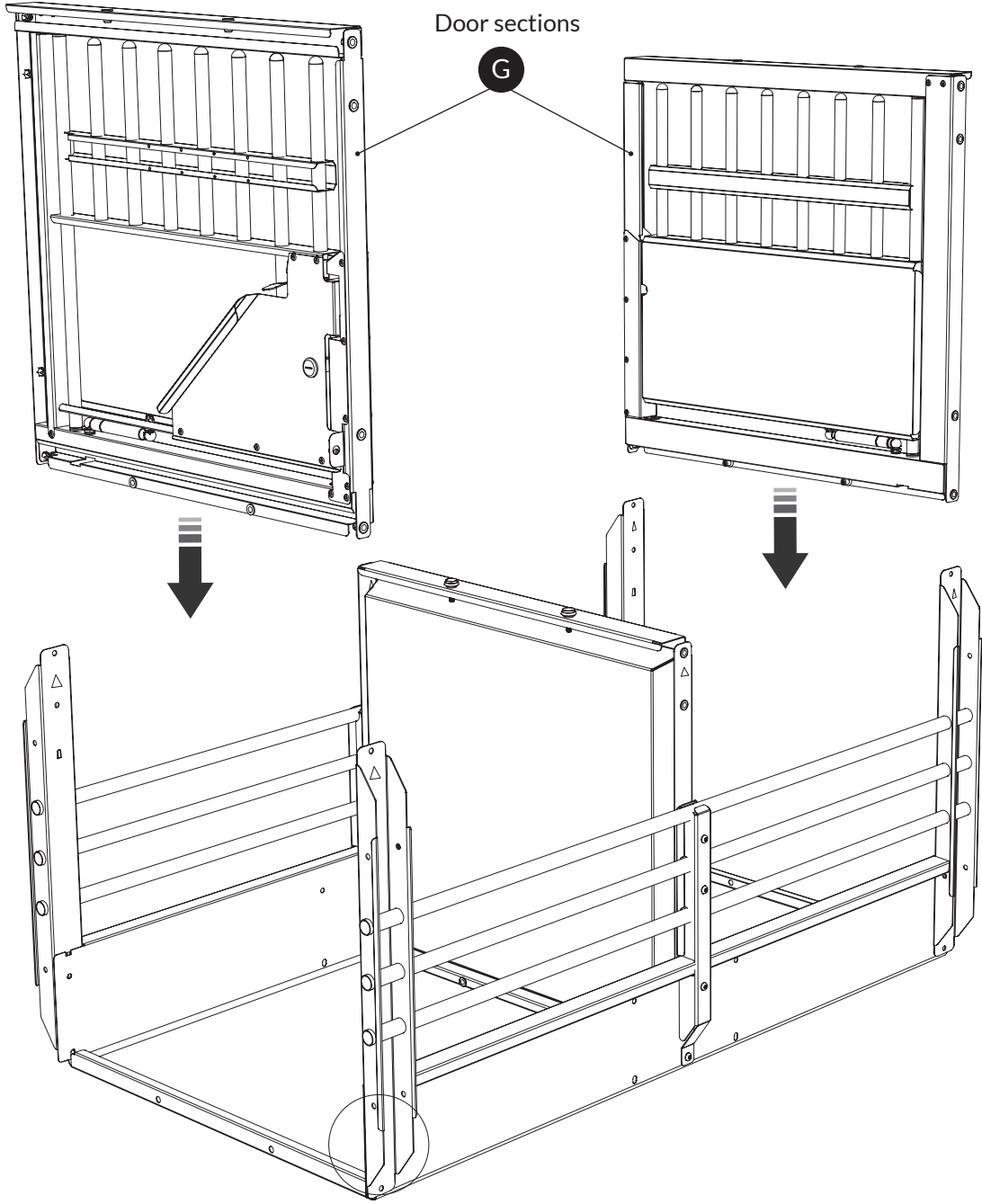
Follow this step only if you choose not to install the divider   
**IMPORTANT**




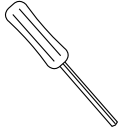
**BAG**

M-VBM6x45FZB <b>6X</b> 	M-VBM6x12FZB <b>2X</b> 	M-BR6,4x12x1S <b>8X</b> 	M-MM6MHM-6FZB <b>8X</b> 	Combination spanner <b>1X</b> 
--	--	---	---	---

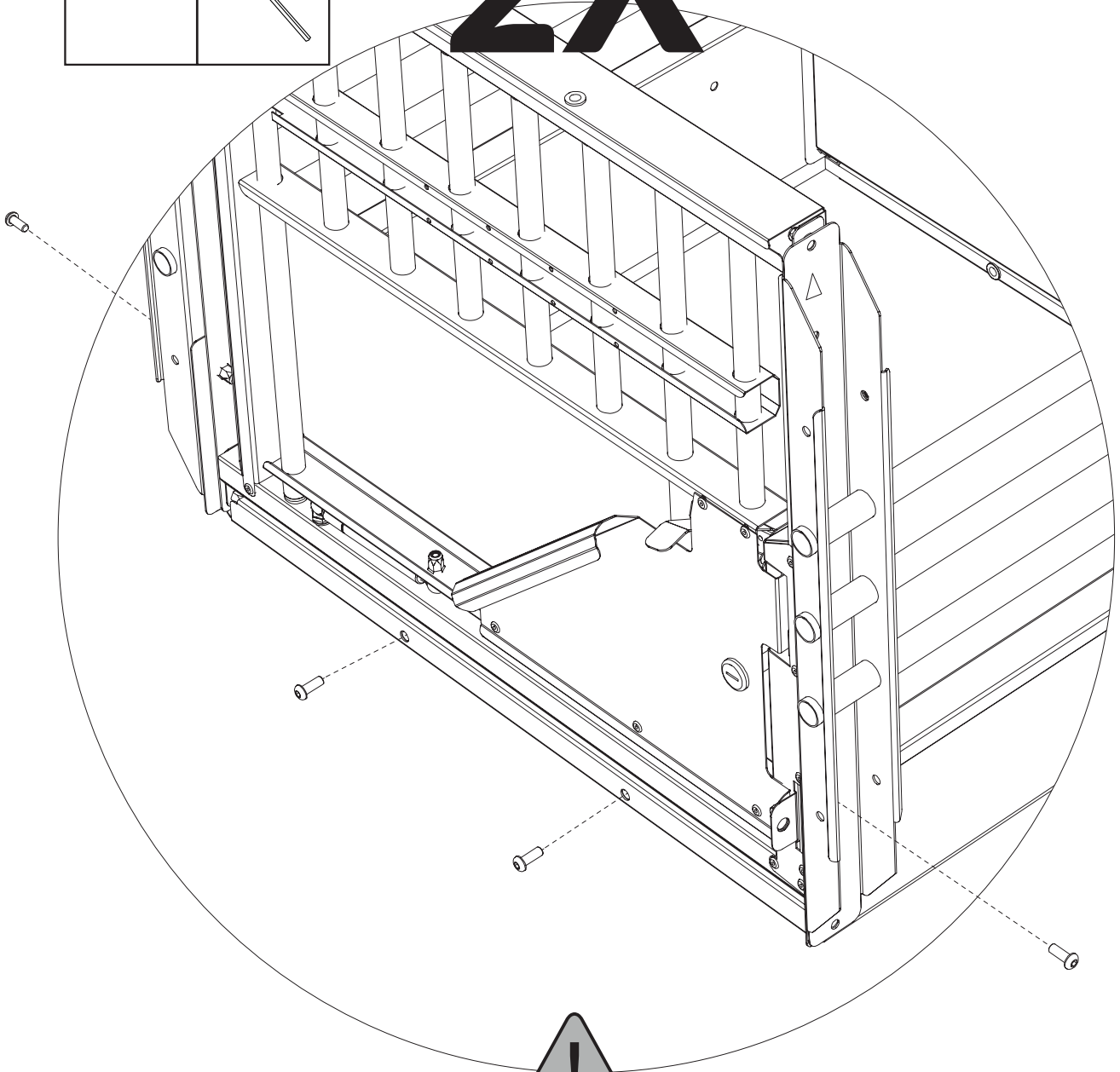
STEP  
**6**



STEP  
**7**

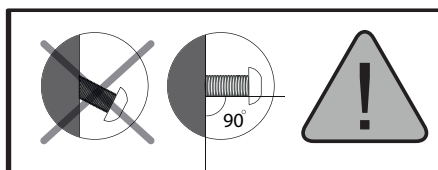
M-5M6x14IA 8X 	ALLEN KEY 4 1X 
---	--

# 2X

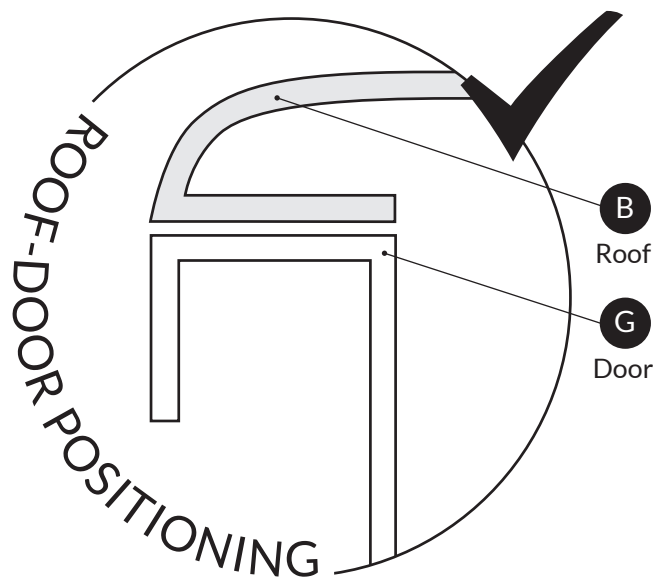
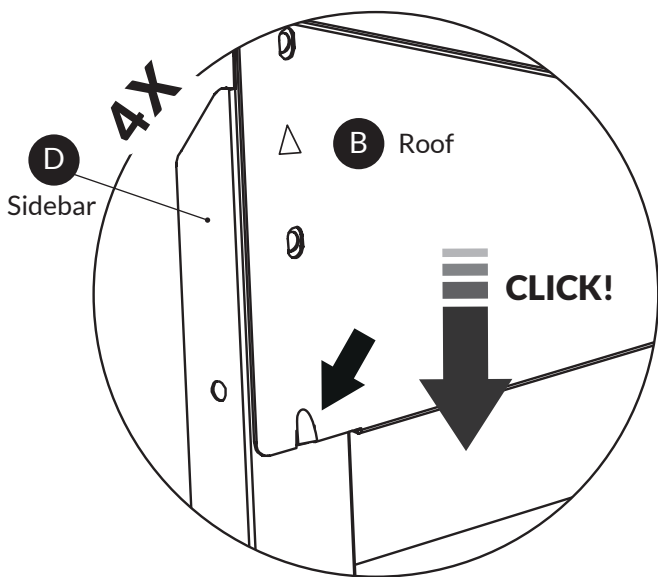
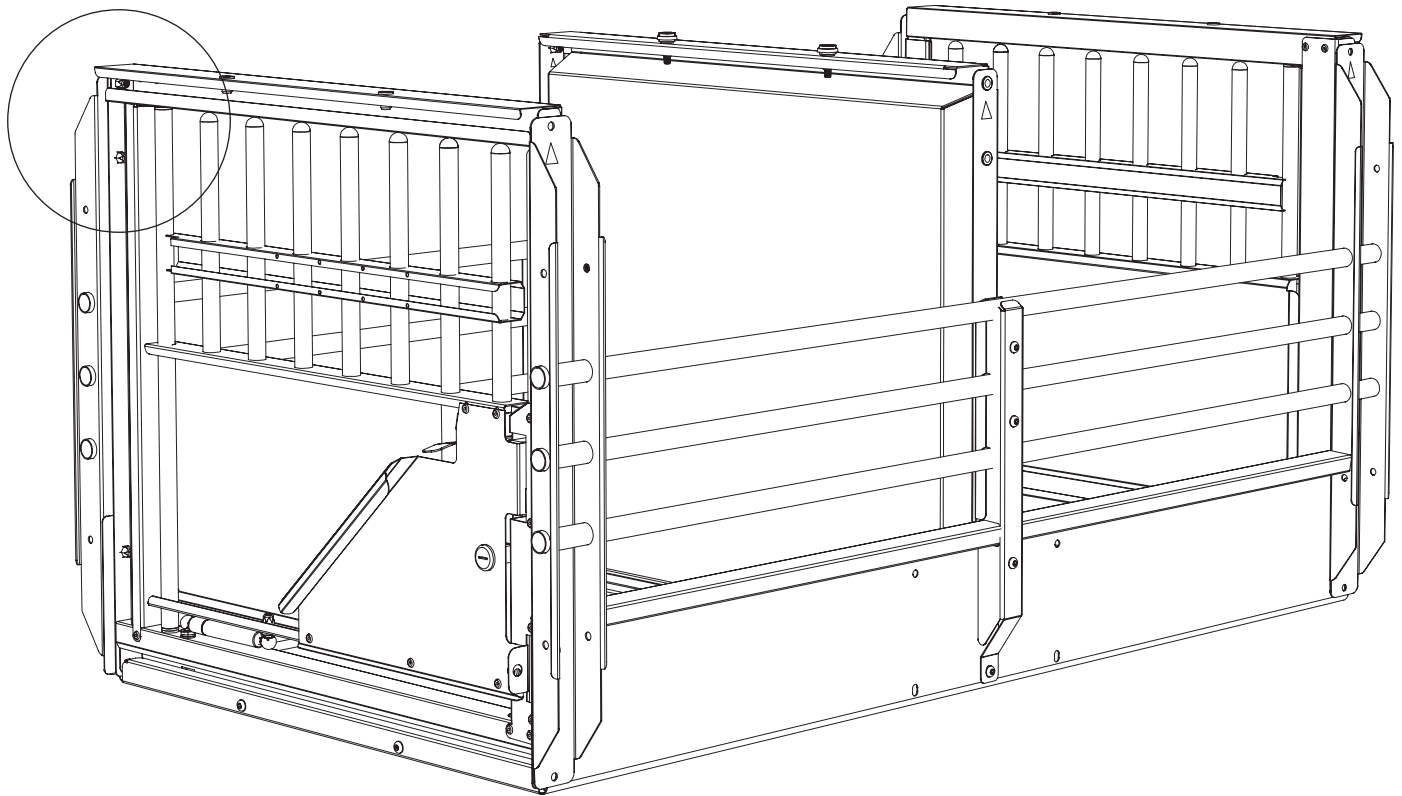
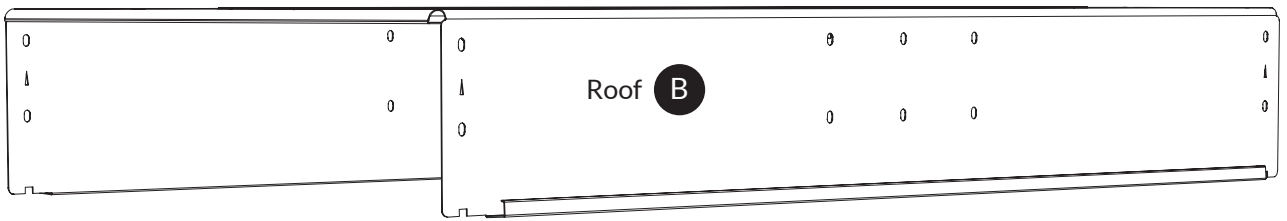


**IMPORTANT**

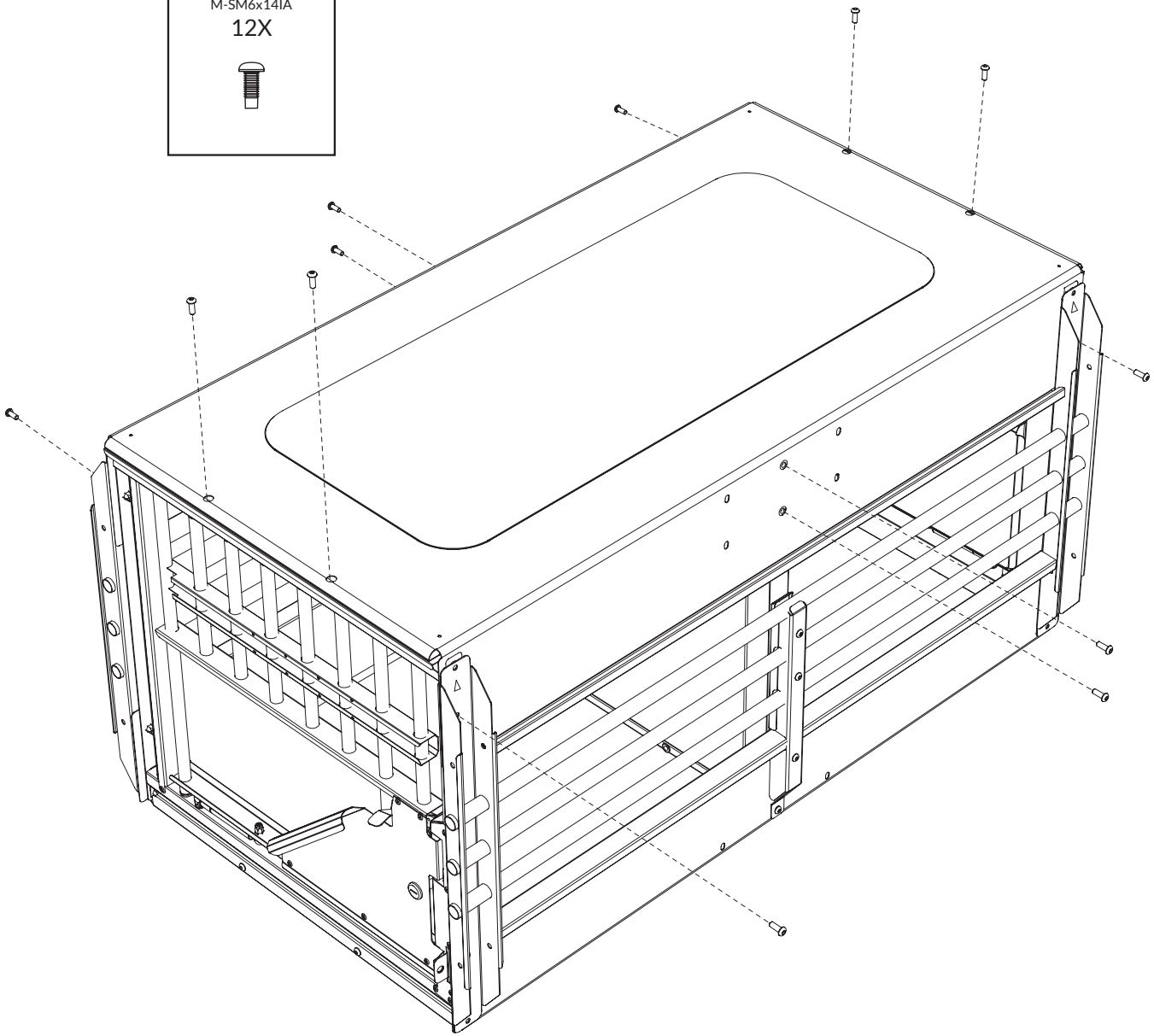
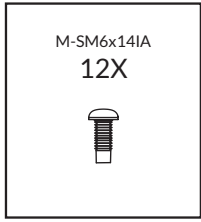
Gently insert all the screws  
before tightening



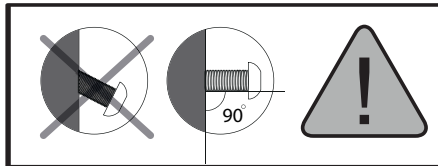
STEP  
**8**



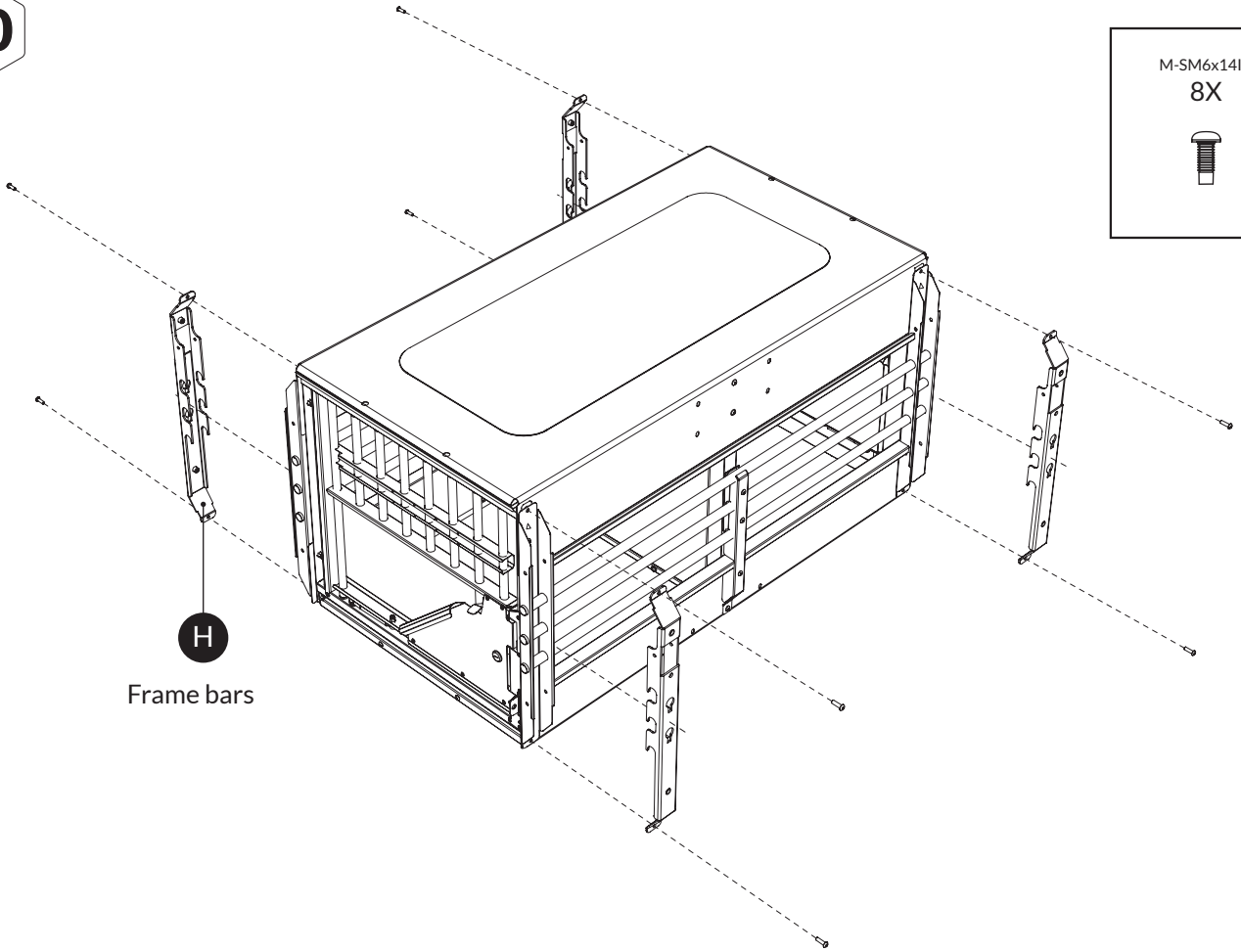
STEP  
**9**



**IMPORTANT**  
Gently insert all the screws  
before tightening



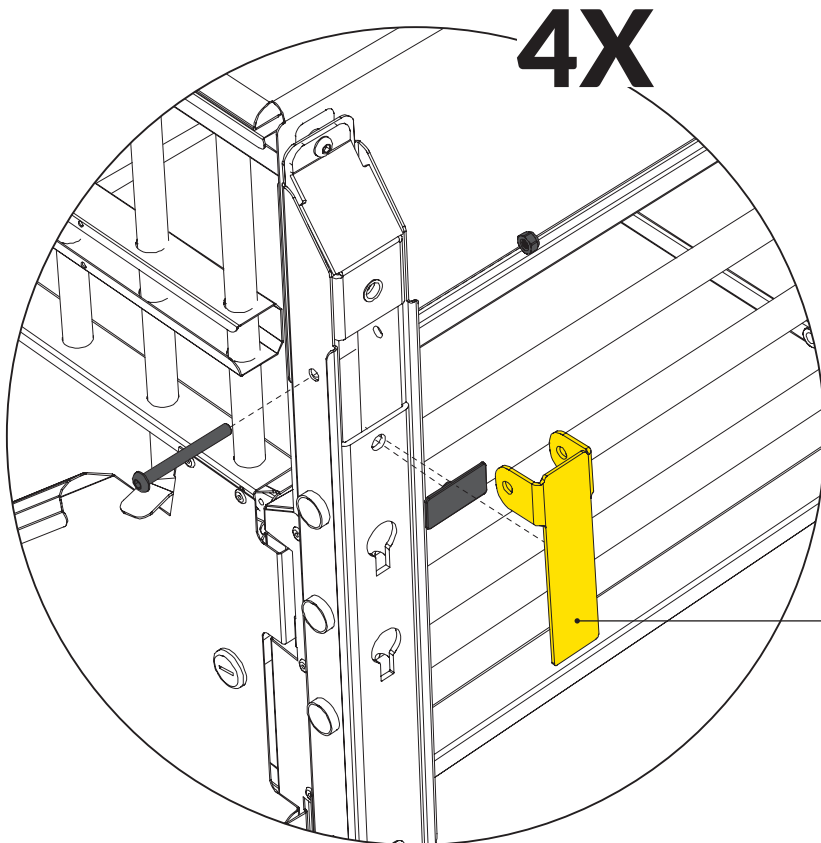
STEP  
**10**



**H**  
Frame bars

M-SM6x14IA  
8X

STEP  
**11**

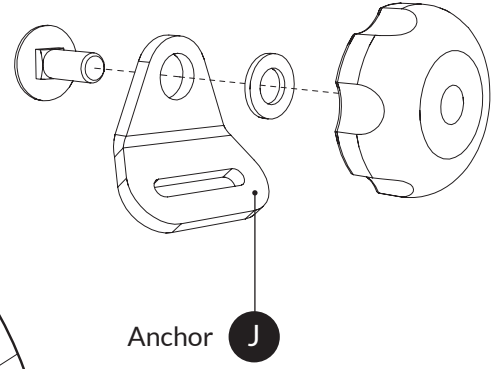
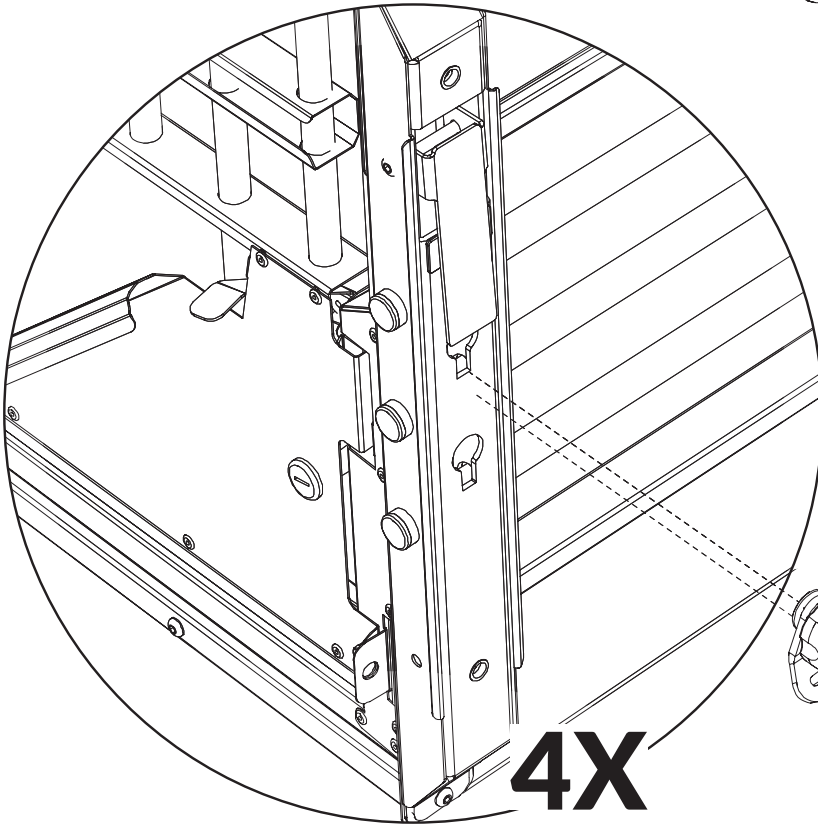


**4X**

M-SM6x55-IK 4X	M-MM6Nys 4X
M-460641D 4X	
rubber	

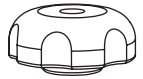
**H** Handle

STEP  
**12**



Anchor **J**

M-4606411  
4X



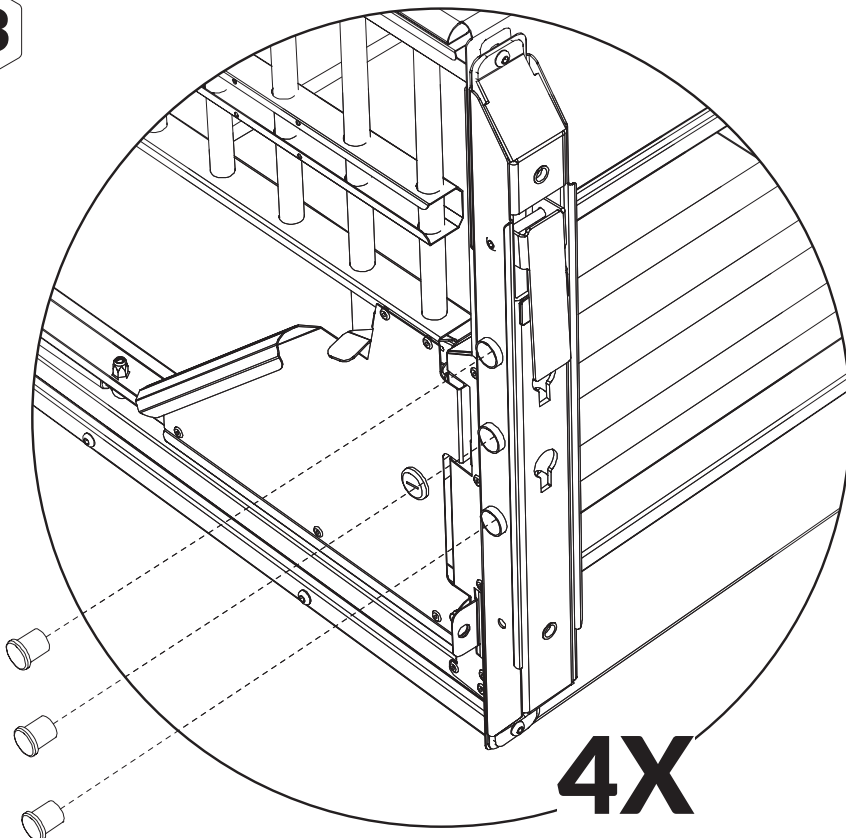
M-BR8x19x1,55  
4X



M-VBM8x20S88  
4X



STEP  
**13**



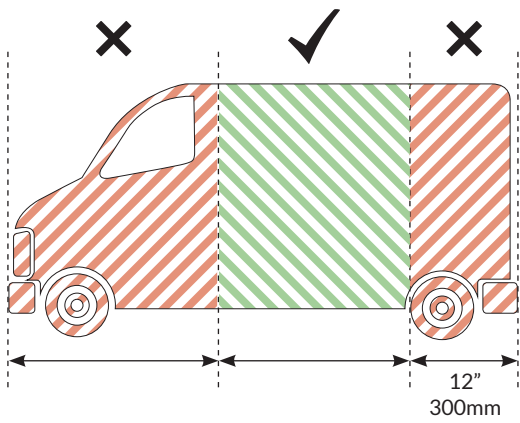
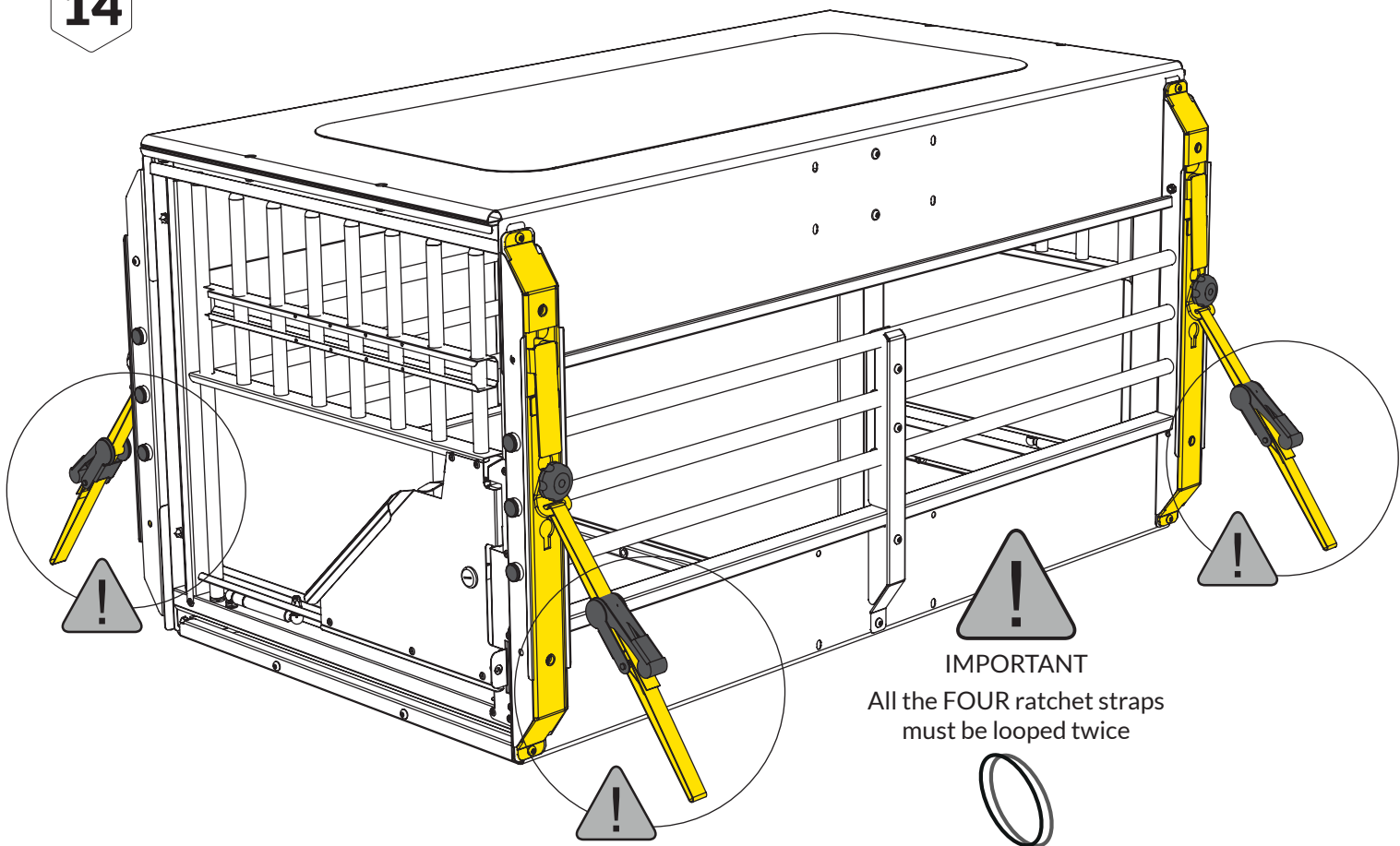
IKP1915-17S

6254C - 8X  
6260C - 12X  
6275C - 20X



plastic end caps

STEP  
**14**



Where to place the MultiCage

